

Mechanical thermostats

KLIMA

DIMENSIONS (mm)

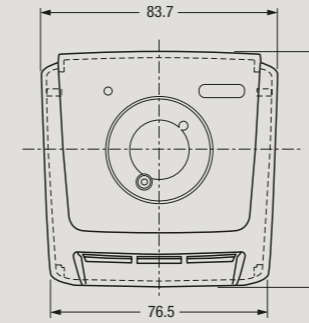
CONNECTION DIAGRAM

Series of thermostats to regulate the ambient temperature.

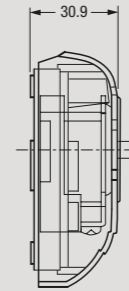


- 1 ON/OFF switch (KLIMA IN, KLIMA SI and KLIMA 3V)
- 2 Ergonomical regulation knob
- 3 Reduced size and compact design
- 4 Available in 8 models

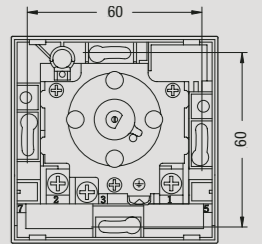
Front view



Side view



Rear view



CLIMATE CONTROL

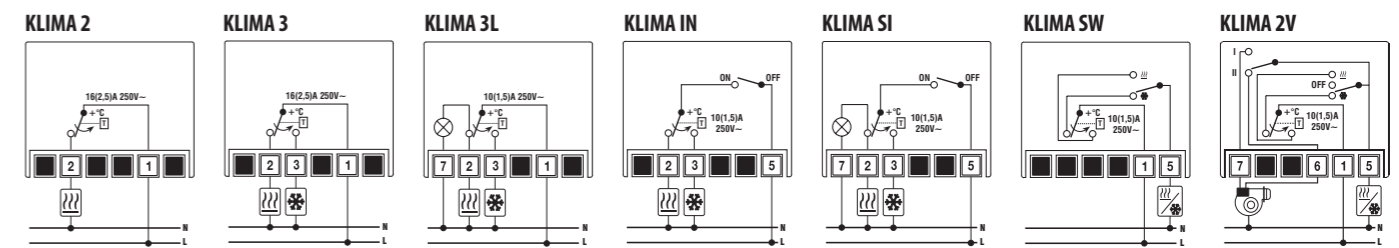
WALL-MOUNTING THERMOSTATS

- Gas membrane ambient thermostat
- Regulation range: +5 °C ÷ +30 °C
- Fixed differential: Δ 1.3 °C (± 0.2 °C)
- Fastened to wall
- For installation in places at an altitude > 1000 m asl the calibration values are not guaranteed



TECHNICAL INFORMATION

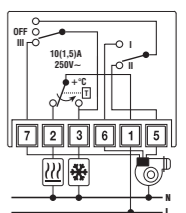
CONNECTION DIAGRAM



GENERAL CHARACTERISTICS

Model	KLIMA 3L - KLIMA IN - KLIMA 3V	
	KLIMA 2 - KLIMA 3	KLIMA SI - KLIMA SW - KLIMA 2V
Contact capacity on resistive load at 250 V AC	A 16 (2.5)	10 (1.5)
Regulation range	°C +5 ÷ +30	+5 ÷ +30
Differential	°C Δ 1.3 ± 0.2	Δ 1.3 ± 0.2
Protection	IP 20	20

KLIMA 3V



Code	Model	Function
VE018800	KLIMA 2	Heating automatic triggering
VE019600	KLIMA 3	Heating/cooling automatic triggering
VE020400	KLIMA 3L	Heating/cooling automatic triggering + light ON
VE022000	KLIMA IN	Heating/cooling automatic triggering + ON/OFF switch
VE021200	KLIMA SI	Heating/cooling automatic triggering + ON/OFF switch + light ON
VE023800	KLIMA SW	Heating/cooling automatic triggering + summer/winter switch
VE024600	KLIMA 2V	Heating/cooling automatic triggering + 2 speed selector + summer/winter selector
VE268900	KLIMA 3V	Heating/cooling automatic triggering + 3 speed selector + OFF switch

REFERENCE STANDARDS

Compliance with Community Directives: 2006/95/EC (Low Voltage) and 2004/108/EC (E.M.C.) is declared with reference to the following standards: • Safety: EN 60730-2-9 • E.M. Compatibility: EN 55014