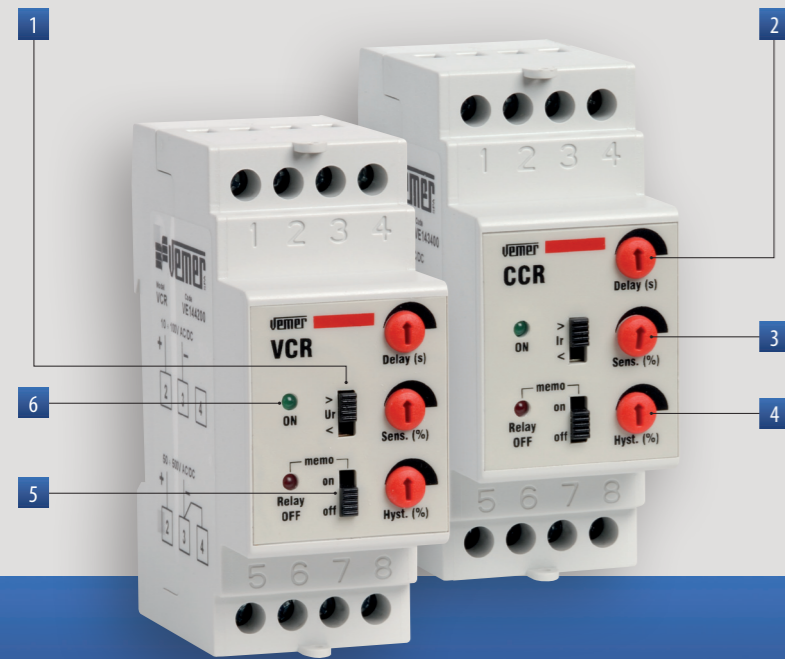


Control relays

VCR
CCR

Control relay in 2 DIN modules container to activate an external circuit depending on the programmed intervention value. The threshold values, hysteresis and switching delay are settable.



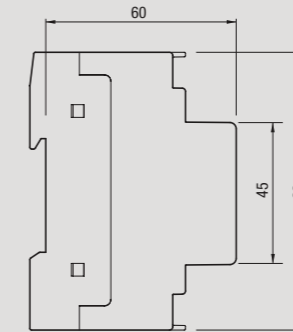
- 1 Maximum or minimum mode selector
- 2 Switching delay trimmer
- 3 Threshold value trimmer
- 4 Hysteresis value trimmer
- 5 Memory mode selector
- 6 Green LED: power ON

DIMENSIONS (mm)

Front view

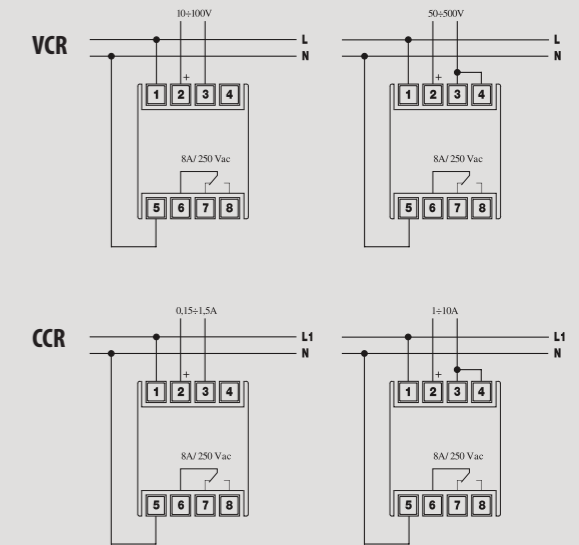


Side view



CONNECTION DIAGRAM

Diagram



MEASUREMENT AND CONTROL

TECHNICAL INFORMATION

VOLTAGES AND CURRENTS CONTROL RELAYS

- Power supply 230 V AC (-15% ÷ +10%) 50/60 Hz
- Input signal:
 - for VCR: 10V ÷ 100V or 50V ÷ 500V
 - for CCR: 0.15A ÷ 1.5A or 1A ÷ 10A
- Parameters adjustable via trimmer
- Possibility to activate the alarm memory function via selector
- Possibility to choose the maximum or minimum mode via selector
- Full scale selection via wiring

GENERAL CHARACTERISTICS

Power supply	V AC	230 (-15% ÷ +10%)
Frequency	Hz	50 / 60
Absorption	VA	<4
Terminal blocks		6 mm ²
Intervention threshold		Adjustable between 10% and 100% of the full scale
Hysteresis		Adjustable between 5% and 50% of the threshold
Relay switching delay	s	Adjustable between 0.1 and 10
Operating temperature	°C	-5 ÷ +55
Storage temperature	°C	-10 ÷ +70
Signalling LED		Green = powered Red = relay off (alarm)
Container		2 DIN modules

Output			
Relay capacity with change-over contact	AT 250 V AC	A	8
maximum switchable voltage in AC		V	380
maximum switchable current in AC		A	10
maximum switchable power in AC		VA	2000

Code	Model	Description	Dimensions
VE144200	VCR	Voltage control relays	2 DIN modules
VE143400	CCR	Current control relays	2 DIN modules

REFERENCE STANDARDS

Compliance with Community Directives: 2006/95/EC (Low Voltage) and 2004/108/EC (E.M.C.) is declared with reference to the following standards: • Safety: EN 61010-1 • E.M. Compatibility: EN 61000-6-2 / EN 61000-6-4