

Movement detectors

SENSOR 140 SENSOR 200

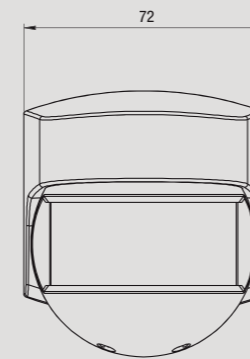
Proximity sensors that intercept invisible infrared emissions from people and other heat sources without emitting any type of other radiation.



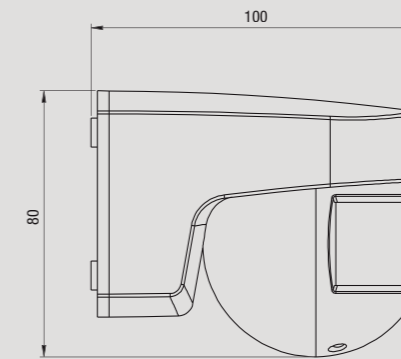
- 1 Installation base
- 2 Sensor
- 3 Rotating sphere

DIMENSIONS (mm)

Front view

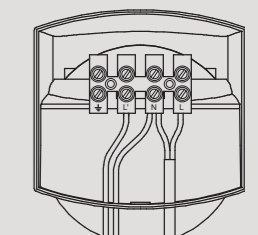
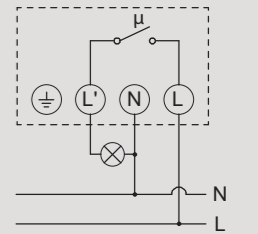


Side view



CONNECTION DIAGRAM

Diagram



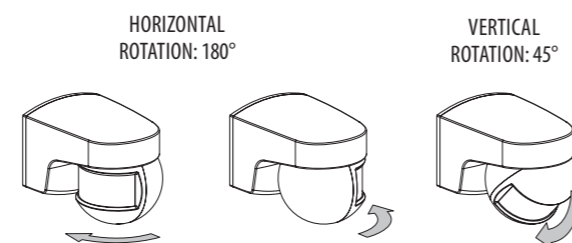
230 V AC LIGHT BULB

TIME AND MANAGEMENT

TECHNICAL INFORMATION

WALL-MOUNTING DETECTORS

- Two operating modes (normal mode and permanent activation)
- Setting through trimmer of delay values, sensitivity and coverage range
- Rolling and tilting sensor
- Possibility of applying limiters of the detection area (provided)
- Available in box or blister version



Code	Model	Description	Range of action	Colour
VE212700	Sensor 140	IP 55 Movement detector	8 m / 140°	White
VE213500	Sensor 200	IP 55 Movement detector	8 m / 200°	White
VE787700	Sensor 200 Nero	IP 55 Movement detector	8 m / 200°	Black
VP401400	Sensor 140 Blister	IP 55 Movement detector	8 m / 140°	White
VP402200	Sensor 200 Blister	IP 55 Movement detector	8 m / 200°	White

GENERAL CHARACTERISTICS

Power supply	V AC	230 (-15% ÷ +10%)
Frequency	Hz	50 / 60
Absorption	VA	6
Luminosity range		5 - 30 - 2000 lux
Timing range		from 3 seconds to 30 minutes
Detection field		frontal: 12 m at 20°C lateral: 8 m at 20°C
Detection angle		
- Sensor 140		140°
- Sensor 200		200°
Operating conditions	°C	-20 ÷ +40
Relative humidity		10 ÷ 90% non condensing
Protection degree		IP55

CONNECTABLE LOADS

Incandescent		1000 W
Fluorescent (neon)		600 VA
Low voltage halogen		600 VA
Halogen (230 V~)		1000 W
Low consumption (CFL)		600 VA
Led		60 VA

REFERENCE STANDARDS

Compliance with Community Directives: 2014/35/EU (LVD) • 2014/30/EU (EMCD) is declared with reference to the following standards: EN 60669-2-1