

Mechanical thermostats

TAMB cap

Ambient temperature thermostat with spiral sensor adapt to control and regulate the temperature in ambient such as green house and incubator.



- 1 Knob to regulate the temperature
- 2 Spiral sensor to detection of ambient temperature

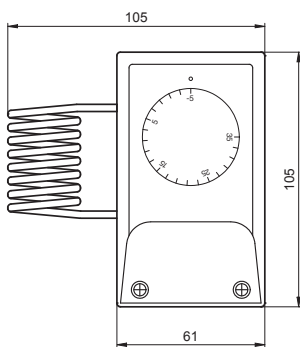
THERMOSTAT WITH SPIRAL SENSOR

- Operating range: $-5^{\circ}\text{C} \div +35^{\circ}\text{C}$
- Differential: $1.5^{\circ}\text{C} \pm 1$
- Protection degree: IP54
- Contact capacity: 16(2.5)A / 250 Vac
- Insulation class: I
- Cooper capillary and bulb tin plated
- Faston terminals 6.3 mm with screw terminals

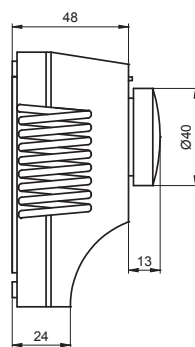
Code	Model	Description
VE310900	TAMB cap	Ambient temperature thermostat with spiral sensor IP54

DIMENSIONS (mm)

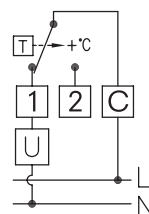
Front view



Side view



CONNECTION DIAGRAM



REFERENCE STANDARDS

Compliance with Community Directives: 2006/95/EC (Low Voltage) and 2004/108/EC (E.M.C.) is declared with reference to the following standards: • EN 60730-1, EN 60730-2-9