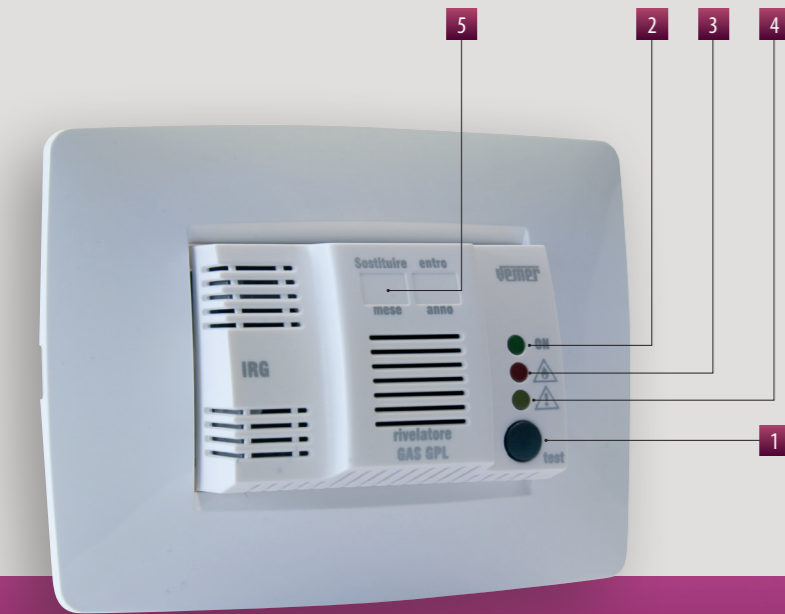


Gas detectors

LPG and methane gas detectors with installation in 3 modules flush-mounting BOX (503 type) that make it possible to control a solenoid valve or an auxiliary device using an alarm relay. The contact block (sensor + electronics) is extractable and can be replaced with the relative spare upon expiration of the sensor's useful life.

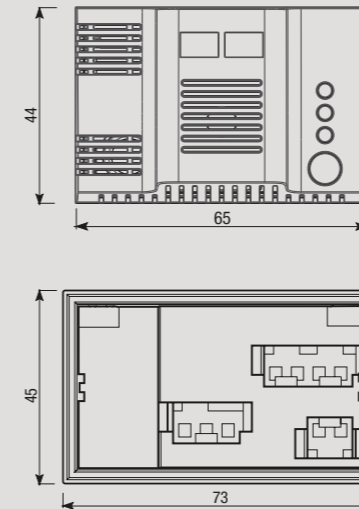


- 1 Instrument test and alarm silencing key
- 2 Green LED: power on
- 3 Red LED: gas alarm
- 4 Yellow LED: failure detected
- 5 Groove for applying the labels indicating sensor expiration

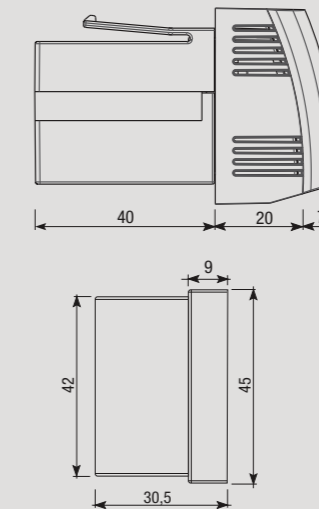
IRG
IRM

DIMENSIONS (mm)

Front view

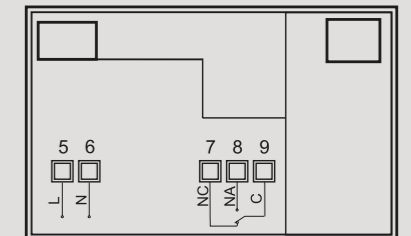


Side view



CONNECTION DIAGRAM

Diagram



GAS AND SAFETY

BUILT-IN DETECTORS

- Power supply: 115÷230V ac (-15% ÷ +10%)
- Alarm signalling through LED and BUZZER
- Reset/test button to silence the alarm
- Output relay 5(2)A / 250V ac
- Interchangeable front panel in 3 colours:
 - white and anthracite (included in the package)
 - silver (available as accessory)
- Pre-printed month and year labels for sensor expiration
- Built-in three modules box installation
- Sensor expiration buzzer (acoustic warning) and led (visual warning)

Adjustable plates

| | |
|-------------------------------------|-----------------------------|
| ABB series Chiara | Vimar series Eikon |
| Bticino series Axolute | Legrand series Cross |
| Bticino series Living International | Legrand series Vela Quadra |
| Bticino series Light | Legrand series Vela Tonda |
| Bticino series Light tech | Gewiss series Chorus |
| Bticino series Magic | Gewiss series Playbus |
| Bticino series Matix | Siemens series Delta Futura |
| Vimar series Idea | Siemens series Delta Geo |
| Vimar series Plana | |

For information about the possibility to use different plates contact the technical assistance

| Code | Model | Description |
|----------|------------|------------------------------------|
| VE294500 | IRM | Methane gas detector |
| VE295200 | IRG | LPG gas detector |
| VE313300 | Frutto.IRM | Spare for methane gas detector |
| VE314100 | Frutto.IRG | Spare for LPG gas detector |
| VE355400 | Fr.IRM | Silver painted front panel for IRM |
| VE356200 | Fr.IRG | Silver painted front panel for IRG |

TECHNICAL INFORMATION

GENERAL CHARACTERISTICS

| | | | | | |
|------------------------------|------|------------------------------|-----------------------|----|--|
| Power supply | V AC | 115÷230 (-15% ÷ +10%) | Operating temperature | °C | -10 ÷ +40 |
| Frequency | Hz | 50/60 | Operating humidity | | 30 ÷ 90% |
| Relay output | | 5(2)A / 250V AC | | | non condensing |
| Signalling LEDs | | 1 green 1 yellow 1 red | Storage temperature | °C | -20 ÷ +70 |
| Buzzer pressure sound at 1 m | dB | 85 | Installation | | 503 box |
| Alarm threshold | | 8% lower explosivity limit | Degree of protection | | IP40 |
| | | | Insulation value | | - between accessible parts and live parts - between power supply and output |
| | | | | | double double |

REFERENCE STANDARDS

Conformity with Community Directives: 2006/95/EC (Low voltage) and 2004/108/EC (E.M.C.) is declared with reference to the following harmonised standards: EN 50194 and EN 50270. The product is also CEI 216-8 standard compliant.