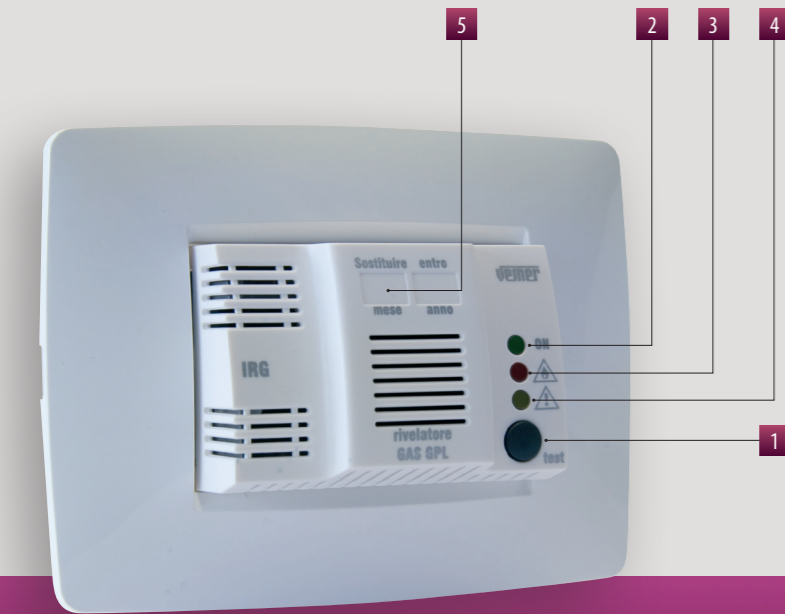


# Gas detectors

LPG and methane gas detectors with installation in 3 modules flush-mounting BOX (503 type) that make it possible to control a solenoid valve or an auxiliary device using an alarm relay. The contact block (sensor + electronics) is extractable and can be replaced with the relative spare upon expiration of the sensor's useful life.

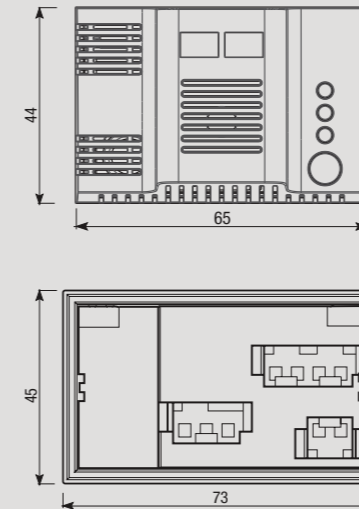


- 1 Instrument test and alarm silencing key
- 2 Green LED: power on
- 3 Red LED: gas alarm
- 4 Yellow LED: failure detected
- 5 Groove for applying the labels indicating sensor expiration

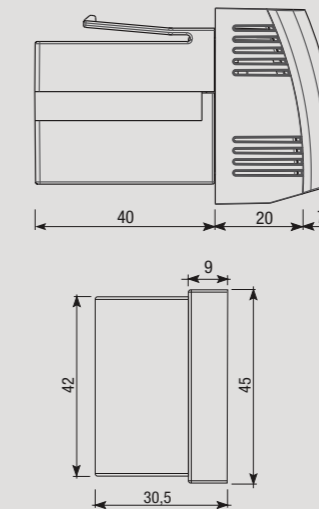
**IRG**  
**IRM**

## DIMENSIONS (mm)

### Front view

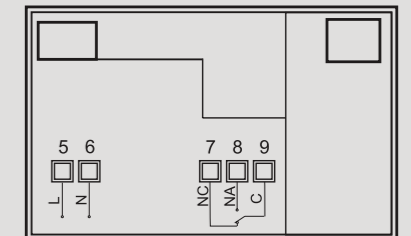


### Side view



## CONNECTION DIAGRAM

### Diagram



## GAS AND SAFETY

### BUILT-IN DETECTORS

- Power supply: 115÷230V ac (-15% ÷ +10%)
- Alarm signalling through LED and BUZZER
- Reset/test button to silence the alarm
- Output relay 5(2)A / 250V ac
- Interchangeable front panel in 3 colours:
  - white and anthracite (included in the package)
  - silver (available as accessory)
- Pre-printed month and year labels for sensor expiration
- Built-in three modules box installation
- Sensor expiration buzzer (acoustic warning) and led (visual warning)

### Adjustable plates

ABB series Chiara	Vimar series Eikon
Bticino series Axolute	Legrand series Cross
Bticino series Living International	Legrand series Vela Quadra
Bticino series Light	Legrand series Vela Tonda
Bticino series Light tech	Gewiss series Chorus
Bticino series Magic	Gewiss series Playbus
Bticino series Matix	Siemens series Delta Futura
Vimar series Idea	Siemens series Delta Geo
Vimar series Plana	

For information about the possibility to use different plates contact the technical assistance

Code	Model	Description
VE294500	IRM	Methane gas detector
VE295200	IRG	LPG gas detector
VE313300	Frutto.IRM	Spare for methane gas detector
VE314100	Frutto.IRG	Spare for LPG gas detector
VE355400	Fr.IRM	Silver painted front panel for IRM
VE356200	Fr.IRG	Silver painted front panel for IRG

## TECHNICAL INFORMATION

### GENERAL CHARACTERISTICS

Power supply	V AC	115÷230 (-15% ÷ +10%)	Operating temperature	°C	-10 ÷ +40
Frequency	Hz	50/60	Operating humidity		30 ÷ 90%
Relay output		5(2)A / 250V AC			non condensing
Signalling LEDs		1 green 1 yellow 1 red	Storage temperature	°C	-20 ÷ +70
Buzzer pressure sound at 1 m	dB	85	Installation		503 box
Alarm threshold		8% lower explosivity limit	Degree of protection		IP40
			Insulation value		- between accessible parts and live parts - between power supply and output
					double double

### REFERENCE STANDARDS

Conformity with Community Directives: 2006/95/EC (Low voltage) and 2004/108/EC (E.M.C.) is declared with reference to the following harmonised standards: EN 50194 and EN 50270. The product is also CEI 216-8 standard compliant.