

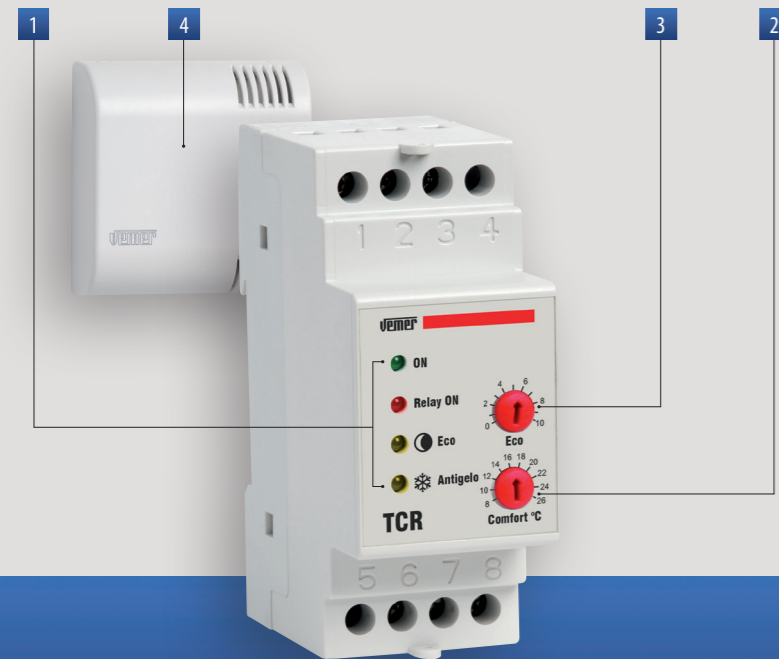
Control relays

TCR

DIMENSIONS (mm)

CONNECTION DIAGRAM

Modular control relay in 2 DIN modules container for the ambient temperature regulation in heating mode.



- 1 Signalling leds :
 - green for power on
 - red for output activation
 - yellow ● for active economy mode
 - yellow ✱ for active antifreeze mode
- 2 Trimmer for setpoint comfort mode setting
- 3 Trimmer for setpoint reduction setting (economy mode)
- 4 NTC wall-mounting probe (included in the packaging)

Accessories you can buy separately:

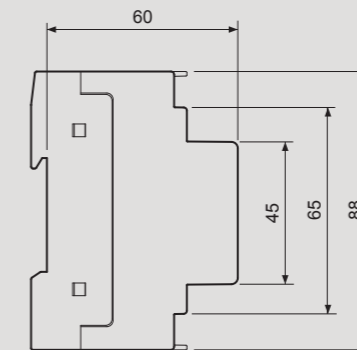
- 5 Immersion probe (cod. VE152500)
- 6 For pipes probe (cod. VE124400)



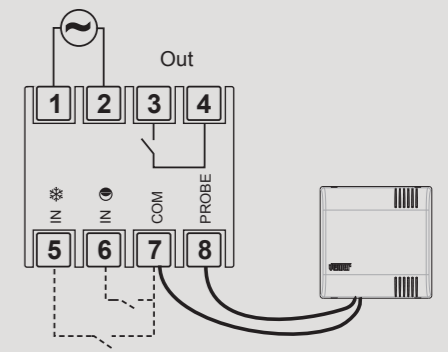
Front view



Side view



Diagram



terminals 5-7 antifreeze mode input
terminals 6-7 economy mode input

MEASUREMENT AND CONTROL

TECHNICAL INFORMATION

TEMPERATURE CONTROL RELAY

- Power supply: 230Vac (-10% ÷ +10%)
- Regulation mode: heating (winter)
- ON/OFF type temperature regulation with fixed differential
- Relay output with normally open contact 16(2)A / 230V
- 2 inputs with clean contact for the selection of the operating mode
- 3 operating modes: comfort, economy, antifreeze

Comfort Mode

terminals 5-7	terminals 6-7	Led ●	Led ✱	Setpoint
ON	ON	Green	Yellow	T _{comfort}

Economy Mode

terminals 5-7	terminals 6-7	Led ●	Led ✱	Setpoint*
ON	ON	Yellow	Yellow	T _{comfort - Eco}

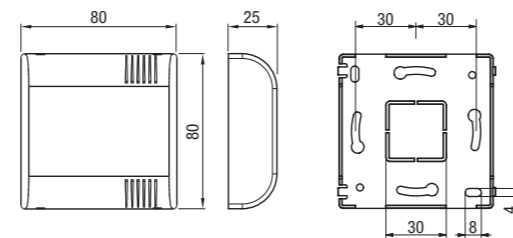
(*) the minimum value of the setpoint is 8 °C even if T_{comfort - Eco} is less than 8 °C.

Antifreeze mode

terminals 5-7	terminals 6-7	Led ●	Led ✱	Setpoint
ON	Indifferent	Green	Yellow	5°C

REMOTE PROBE

DIMENSIONS (mm)



GENERAL CHARACTERISTICS

Power supply	V AC	230 (-10% ÷ +10%)
Frequency	Hz	50 / 60
Absorption	VA	<4
Signalling led		1 green = power on 1 red = active output relay 2 yellow = operating mode indicator
Maximum cable section	mm ²	6
Output relay capacity	A	16(2) / 230V
Regulation type		ON / OFF
Differential	°C	0.2 (fixed)
Measurement precision	°C	± 1
Regulation field	°C	8 ÷ 26

Operating temperature	°C	-10 ÷ +55
Storage temperature	°C	-20 ÷ +60
Operating humidity	RH	15 ÷ 95%
		non condensing
Container		2 DIN modules
Protection degree		IP20

External probe

NTC type sensor		10 kΩ a 25°C
Maximum cable section	mm ²	2.5
Maximum distance from TCR	m	100

Code	Model	Description	Dimensions
VE447900	TCR	Temperature control relay with wall-mounting external probe	2 DIN modules

REFERENCE STANDARDS

Compliance with Community Directives: 2006/95/EC (Low Voltage) and 2005/108/EC (E.M.C.) is declared with reference to the following standard: EN 60730-2-9