

Digital chronothermostats

IRIDE

Serie of touch screen electronic chronothermostats with weekly programming and flush-mounting on 3 modules 503 box designed for temperature control both in heating and cooling, available both in AC power supply and battery.



- 1 Installation in flush-mounting three modules box
- 2 Supports to adjust the instrument to the most common civil series plates
- 3 Touch screen display to view the measured temperature for the programming of the instrument
- 4 Terminals in the back of the instrument for connection to the relay output, power supply (Iride 230 only) and external contact (Iride only)
- 5 Interchangeable front panel available in white and anthracite grey colours (included in the package) and silver (you can buy it on request)
- 6 Display with backlighting:
 - multicolour red, green, blue for Iride 230
 - monocolour blue on with a touch for Iride



FLUSH-MOUNTING TOUCH SCREEN CHRONOTHERMOSTATS

- Power Supply:
 - Iride 230: 230 Vac 50/60 Hz with charge reserve (for blackout) of 2 days
 - Iride: 2x1.5V (AAA type) with charge reserve (for battery replacement) of 1 minute
- Summer/winter regulation mode
- Automatic programming with:
 - 7 programs for winter mode (modifiable)
 - 7 programs for summer mode (modifiable)
- Temperature regulation of ON/OFF type or proportional
- 5 settable temperatures:
 - T1 ,T2 ,T3 in automatic operation
 - Tm in manual operation
 - Toff in off mode (antifreeze temperature, removable)
- Minimum interval of regulation: 1 hour
- Switching delay settable among 15, 30 or 45 minutes (independent for each hour)
- Bistable relay output 5A / 250 Vac
- Password protected lock keypad
- Automatic summer/winter time change
- Input to switch on and to switch off the chronothermostat remotely by telephone dialler (batteries Iride only)

Adjustable plates

- | | |
|----------------------------|---------------------------------|
| ABB Chiara series | Bticino Livinglight Air series* |
| ABB Mylos series | Bticino Matix series |
| Ave S44 series | Gewiss Chorus series |
| Bticino Axolute series | Vimar Eikon series |
| Bticino Light series | Vimar Eikon Evo series |
| Bticino Light tech series | Vimar Idea series |
| Bticino Living series | Vimar Plana series |
| Bticino Livinglight series | Vimar Ark series |

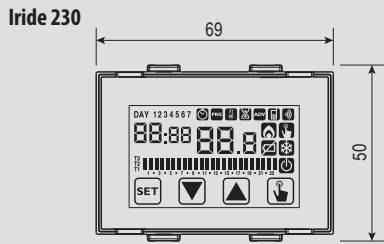
* by mount you can buy on request (code VE470100)

For information about the possibility to use different plates contact the thecnical assistance

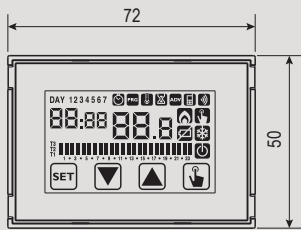
Code	Model	Description	Colour	Power supply
VE457800	Iride 230	Touch screen weekly chronothermostat with multicolour display	White/Grey	230 V~
VE456000	Iride	Touch screen weekly chronothermostat with backlit display	White/Grey	Batteries
VE468500	Fr.Iride 230	Silver painted front panel for Iride 230	Silver	
VE762700	Fr.Iride	Silver painted front panel for Iride	Silver	
VE470100	AIR	Mount for Bticino plate use Livinglight Air series		

DIMENSIONS (mm)

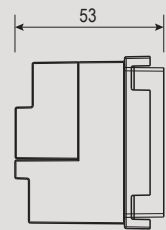
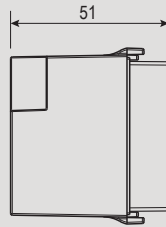
Front view



Iride

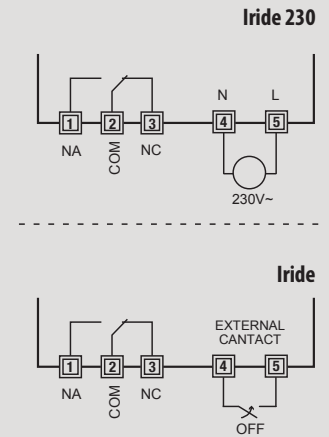


Side view



CONNECTION DIAGRAM

Diagram



TECHNICAL INFORMATION

GENERAL CHARACTERISTICS

Power supply	Iride 230	V AC	230 (-15% ÷ +10%) 50/60 Hz
	Iride	Batteries	2 x 1.5V (AAA type)
Mounting	flush		
Maximum cable section	mm ²		1.5
Programming	weekly		
Operating mode	summer/winter/off		
Regulation type	ON/OFF or proportional		
Differential	°C		0.1 ÷ 1
Settable temperatures	3 + manual + antifreeze		
Setpoint range	°C		2 ÷ 35
Measurement temperature resolution	°C		0.1
Measurement precision	°C		0.5
Antifreeze temperature (removable)	°C		1 ÷ 10

Programming resolution	1 hour	
Switch on delay	15, 30 or 45 minutes	
Output relay capacity	5A / 250 V (bistable)	
Clock precision	± 1 s/day	
Digital input (Iride only)	for instrument switch off remotely	
Operating temperature	°C	0 ÷ 50
Storage temperature	°C	-10 ÷ 65
Operating humidity	RH	20% ÷ 90% non condensing
Protection degree	IP40	

REFERENCE STANDARDS

Compliance with Community Directives 2014/35/EU (LVD), 2014/30/EU (EMCD) is declared with reference to the following standards: • EN 60730-2-7 • EN 60730-2-9