

# Electronic thermostats

Electronic thermostats with wall installation and backlit display, designed to control the ambient temperature both in heating (winter) and in cooling (summer). They are available in AC power supply or battery version.



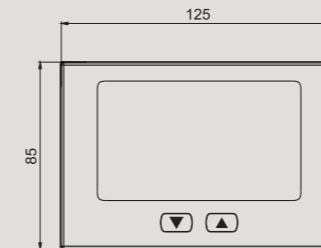
- 1 Plastic base for wall-mounting or to cover the in-built 3 modules box
- 2 Wide backlit display to view the measured temperature
- 3 Terminals on the back of the device for connecting the load, the power supply (230V version) or the external contact or the remote temperature probe (battery version)



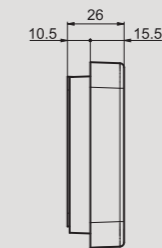
## THALOS KEY

### DIMENSIONS (mm)

#### Front view

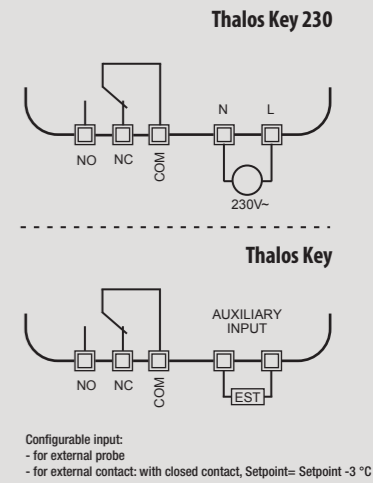


#### Side view



### WIRING DIAGRAM

#### Diagram



## CLIMATE CONTROL

### WALL-MOUNTING THERMOSTATS

- On/off temperature regulation type (with adjustable differential) or proportional
- Antifreeze function to prevent system freezing when the device is switched off
- Keypad lock with password to prevent changes by unauthorized persons
- Display with blue backlighting always active (deactivable) for 230V versions, active when pressing the buttons for battery version
- Configurable digital input for connecting an external contact with which to reduce the set temperature of 3 °C or a temperature probe X.temp (code VN883500) (only for battery version)
- Possibility to limit the range of temperature values that can be set
- Classification according to point 6 of the Communication 2014/C207/02 of the European Commission: class IV



### TECHNICAL INFORMATION

#### GENERAL CHARACTERISTICS

##### Thalos Key

Power supply		2 x 1.5V batteries (AAA)
Battery life	months	12
Relay capacity 250 V AC	A	5
Input		configurable

##### Thalos Key 230

Power supply	V AC	230 (-15% ÷ +10%)
Frequency	Hz	50/60
Relay capacity 250 V AC	A	5

Mounting		wall
Maximum cables section	mm <sup>2</sup>	1.5

Operating mode		summer/winter
Setpoint range	°C	2 ÷ 50
Adjustable differential (in ON-OFF)	°C	0.1 ÷ 1
Measurement temperature resolution	°C	0.1
Measurement precision	°C	0.5
Antifreeze temperature	°C	1 ÷ 10
Operating temperature	°C	0 ÷ 50
Storage temperature	°C	-20 ÷ 65
Operating humidity	RH	20% ÷ 90% non condensing
Protection degree		XXD

Code	Model	Description	Colour	Power supply
VE720900	Thalos Key 230 Bianco	Thermostat with backlit display	White	230 V~
VE721700	Thalos Key 230 Nero	Thermostat with backlit display	Black	230 V~
VE718300	Thalos Key Bianco	Thermostat with backlit display	White	Batteries
VE719100	Thalos Key Nero	Thermostat with backlit display	Black	Batteries

#### REFERENCE STANDARDS

Compliance with Community Directives: 2014/35/EU (LVD) • 2014/30/EU (EMCD) is declared with reference to the following standards: • EN 60730-2-9