

# Time/astronomical switches

Memo KNX is a digital electronic switch for time management of electrical utilities. It allows time programming (daily, weekly or yearly) or astronomical.

Memo KNX can control 9 different channels on bus KNX. The programming of channel 1 is also replicated on the relay located on memo KNX. Each channel can be associated with a different programming (time or astronomical).

Memo KNX also offers the possibility of connecting via BUS a GPS module, GEO-1 (available as an accessory), which allows the acquisition of the time and the position through the satellite system, ensuring greater accuracy over time. The backup battery allows you to keep the settings even in case of blackout and can be replaced through the cover (sealable).



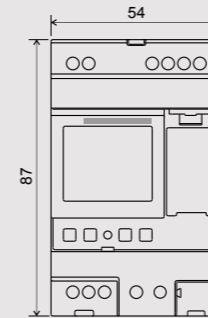
# MEMO KNX

- 1 Wide backlit display to visualize date, time and channels status
- 2 Sealable cover
- 3 Cover for battery replacement
- 4 Terminals for the connection of the GPS module
- 5 Additional GPS module GEO-1 (code VE747200)

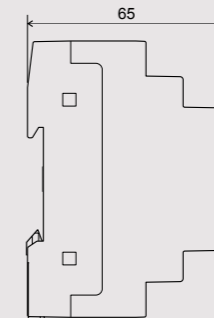


# DIMENSIONS (mm)

## Front view

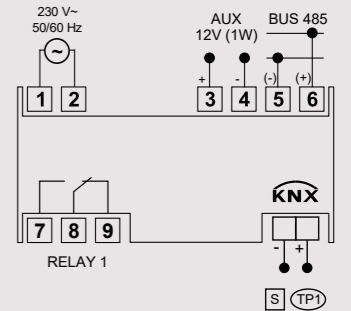


## Side view



# CONNECTION DIAGRAM

## Diagram



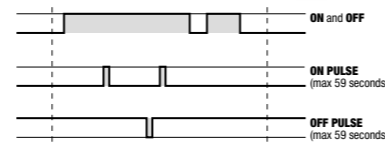
# TIME AND MANAGEMENT

# TECHNICAL INFORMATION

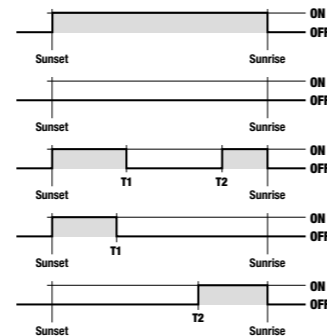
## KNX SWITCHES WITH TIME OR ASTRONOMICAL PROGRAMMING

- Time programming (daily, weekly, monthly or yearly) or astronomical programming
- Available programs: on/off, pulse, holiday, random, night (astronomical)
- 9 different channels on bus KNX (the behaviour of the first channel is replicated on the on-board relay)
- Maximum number of storable programs: 450 (900 events) allocable on 9 channels
- Possibility to automatically capture date, time and geographical position connecting the GEO-1 module
- Automatic time update (DST)
- Correction of the calculated sunrise and sunset time:  $\pm 120$  minutes
- Random switching function of the outputs
- Channels status manual override (temporary or permanent)
- Possibility to copy the programs of one channel on other channels
- Menu in five languages: Italian, English, Spanish, German, French
- Keypad lock by password
- Backup battery (CR 14250 type) replaceable without removing the device

### Time programs



### Astronomical programs



T1 and T2 can be:  
 1. a precise hour  
 2. a delay respect to the sunset (T1) or an advance respect to the sunrise (T2)  
 3. a pulse of 59 seconds maximum duration at sunset (T1) or at sunrise (T2)

## GENERAL CHARACTERISTICS

Power supply	V AC	115 ÷ 230 (-15% ÷ +10%)
Frequency	Hz	50 / 60
Power consumption	VA (W)	7 (2.6)
Number of channels		9
Output (channel 1)		1 relay in monostable change-over
Capacity at 250 V AC	A	16 (10)
	W	2000
	VA	250
	VA	1000
	W	2000
	VA	200
	VA	200
	VA	25
Battery life		5 years (Lithium battery CR 14250)
Charge reserve (for battery replacement)		1 minute
Switchings in case of power failure		no

Programming resolution	1 minute
Storable programs	450
Operating accuracy (without GEO-1)	$\pm 0.5$ seconds/day at 25°C
Operating temperature	°C 0 ÷ +50
Storage temperature	°C -10 ÷ +70
Container	3 DIN modules
Degree of protection	IP20

Code	Model	Description	N. channels
VE747300	memo KNX	KNX switch with time/astronomical programming	9

## REFERENCE STANDARDS

Compliance with Community Directives: 2014/35/EU (LVD) • 2014/30/EU (EMCD) is declared with reference to the following standards: EN 60730-2-7



MEMO KNX-ENG-201903

