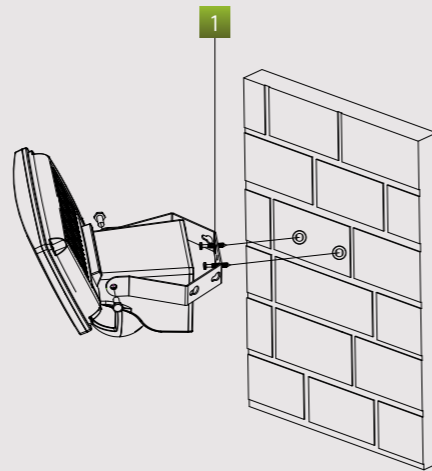


# Movement detectors

Proximity sensors with built-in LED headlamp which turn on for a settable time when a hot body moves in front of the device. They are also equipped with a relay for the connection of an external device, such as an additional headlamp or an acoustic alarm, which is activated at the same time as the headlamp is switched on.



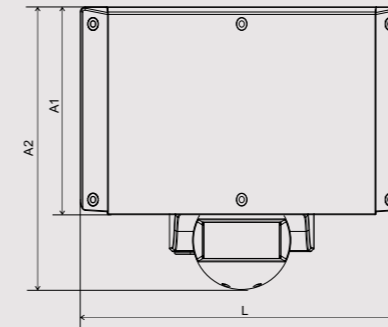
- 1 Bracket for wall-mounting
- 2 Lighting LED
- 3 Sensor
- 4 Rotatable sphere



## SENSOR LED SENSOR 2LED

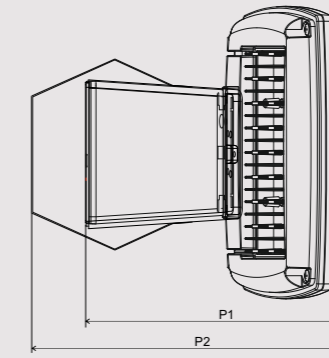
### DIMENSIONS (mm)

#### Front view



	A1	A2	L
Sensor LED	100	120	175
Sensor 2LED	135	185	205

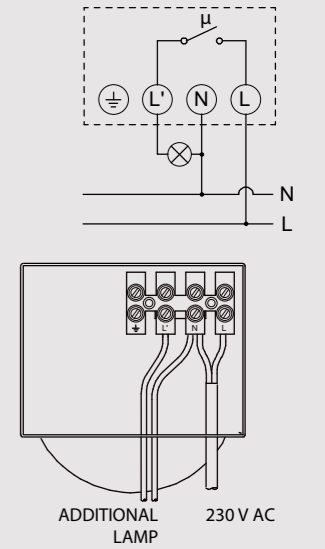
#### Side view



	P1	P2
Sensor LED	155	175
Sensor 2LED	170	190

### CONNECTION DIAGRAM

#### Diagram



## TIME AND MANAGEMENT

### WALL-MOUNTING DETECTORS WITH LED HEADLAMP

- Trimmer for the setting of delay intervention and of the luminosity threshold
- Rotatable and tilting sensor
- Possibility of applying detection area limiters (supplied)
- Version with single LED headlamp (Sensor LED) or double (Sensor 2LED)



### TECHNICAL INFORMATION

#### GENERAL CHARACTERISTICS

Power supply	V AC	230
Frequency	Hz	50
Luminosity range		from 5 to 1000 lux
Timing range		from 3 seconds to 30 minutes about
Detection range		frontal: 12 m at 20°C lateral: 8 m at 20°C
Detection angle		200°
LED type:		
- Sensor LED		1x13W, 1000 lm
- Sensor 2LED		2x13W, 2000 lm
Colour temperature		4000K
Relay output		10A / 250Vac
Operating temperature	°C	-20 ÷ +40
Relative humidity		10 ÷ 90% non condensing
Protection degree	IP	55

#### CONNECTABLE LOADS

Incandescent		1000 W
Fluorescent (neon)		500 VA
Fluorescent (compensated)		150 VA
Halogen (230V~)		1000 W
Low consumption (CFL)		250 VA
Led		125 VA

Code	Model	Description	Range of action	LED power
VE767200	Sensor LED	Movement detector with LED IP55	12 m / 200°	1x13W
VE767300	Sensor 2LED	Movement detector with LED IP55	12 m / 200°	2x13W

#### REFERENCE STANDARDS

Compliance with Community Directives: 2014/35/EU (LVD) • 2014/30/EU (EMCD) is declared with reference to the following standards: EN 60669-2-1