

Movement detectors

Proximity sensor which intercepts the movement of hot bodies inside its detection range and activates the output relay to which you can connect an external device, such as a headlamp or an acoustic alarm. The adapter allows fastening on internal corners, external corners or on flat surface (wall).

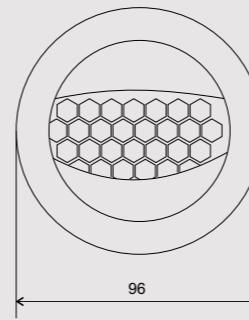


- 1 Base for wall-mounting on internal and external corners
- 2 Sensor
- 3 Tilting sphere

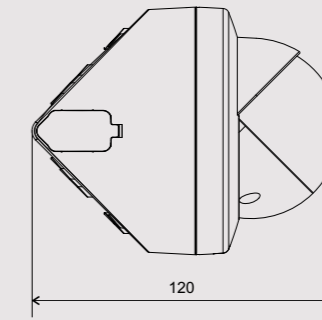
SENSOR CORNER

DIMENSIONS (mm)

Front view

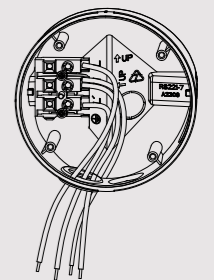
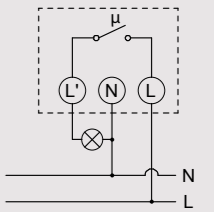


Side view



CONNECTION DIAGRAM

Diagram



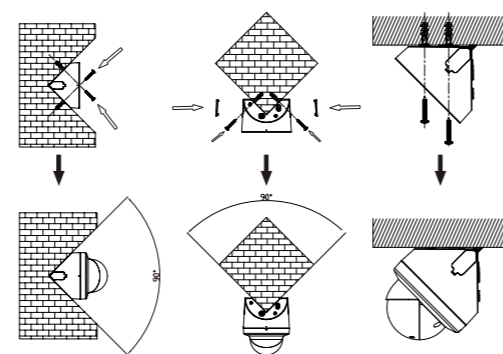
TIME AND MANAGEMENT

TECHNICAL INFORMATION

CORNER DETECTORS

- Trimmer for the setting of delay intervention and of the luminosity threshold
- Tilting sensor
- Adapter for fastening on internal and external corners

Wall-mounting



GENERAL CHARACTERISTICS

Power supply	V AC	230
Frequency	Hz	50
Intervention luminosity		from 5 to 2000 lux
Intervention time		from 3 seconds to 30 minutes about
Detection range		frontal: 12 m at 20 °C side: 8 m at 20 °C
Detection angle		200°
Relay output		10A / 250Vac
Operating temperature	°C	-20 ÷ +40
Relative humidity		10 ÷ 90% non condensing
Degree of protection	IP	55

CONNECTABLE LOADS

Incandescent		1000 W
Fluorescent (neon)		500 W
Fluorescent (compensated)		250 W
Low voltage halogen		200 W
Halogen (230V~)		1000 W
Low consumption (CFL)		500 VA
Led		150 W

Code	Model	Description	Range of action
VE767400	Sensor CORNER	Movement detector IP 55	12 m / 200°

REFERENCE STANDARDS

Compliance with Community Directives: 2014/35/EU (LVD) • 2014/30/EU (EMCD) is declared with reference to the following standards: EN 60669-2-1



SENSOR CORNER-ENG-201903

