

Movement detectors

SENSOR 360L

DIMENSIONS (mm)

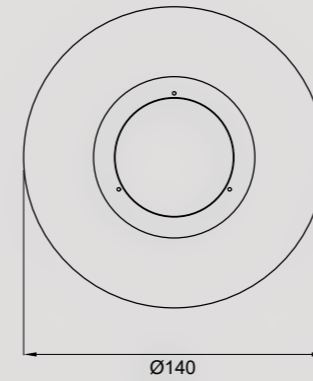
CONNECTION DIAGRAM

Proximity sensor that intercepts infrared invisible emissions of people or other heat sources, without emitting any type of radiation. After a movement within the coverage area, it activates the output circuit for a settable duration.

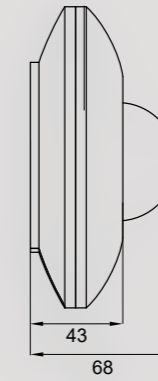


- 1 Installation base
- 2 Sensor
- 3 Trimmer for setting the luminosity, the sensitivity and the operating time

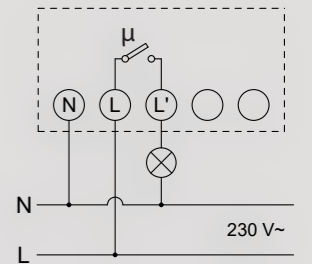
Front view



Side view



Diagram

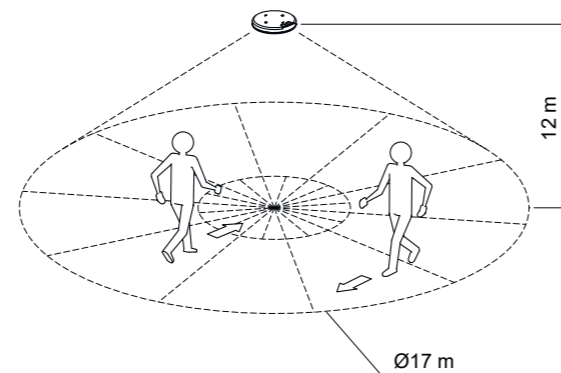


TIME AND MANAGEMENT

TECHNICAL INFORMATION

CEILING-MOUNTING DETECTOR

- Ideal for ceiling-mounting with a maximum height of installation of 12 meters (at 12 meters it covers a surface with a diameter of 17 meters)
- Operating time adjustable between 1 second and 10 minutes
- Blue LED to indicate that the detection or a signal receiving of the remote control has occurred
- Possibility of applying limiters to the detection area (supplied)
- Infrared interface that allows the programming via remote control even with the detector already installed (maximum distance 8 meters)
- Special operating modes available with the remote control:
 - 5h ON: load always active for 5 hours
 - HOLIDAYS: simulates the presence of people through random switching on when the luminosity drops below the selected level
 - ALARM: activates the system with a short on/off sequence after a movement



Code	Model	Description	Range of action
VE787800	Sensor 360 L	Ceiling-mounting movement detector with high coverage	8.5 m / 360°
VE787900	TC.Sensor	Infrared remote control for remote programming	

GENERAL CHARACTERISTICS

Power supply	V AC	230
Frequency	Hz	50
Absorption	VA (W)	8 (1)
Maximum installation height	m	12
Range of action (with h = 12m)	m	17
Angle		360°
Luminosity range		10 ÷ 1000 lux
Operating time		1 s ÷ 10 min
Operating temperature	°C	-10 ÷ +40
Protection degree		IP44

CONNECTABLE LOADS

Incandescent		2200 W
Fluorescent (neon)		1200 VA
Low voltage halogen		2000 VA
Halogen (230 V~)		2200 W
Low consumption (CFL)		1000 VA
Low consumption (Downlights)		900 VA
Led		500 VA

REFERENCE STANDARDS

Compliance with Community Directives: 2014/35/EU (LVD) • 2014/30/EU (EMCD) is declared with reference to the following standards: EN 60669-2-1