

# Twilight switches

## VELUX / VEREG

### DIMENSIONS (mm)

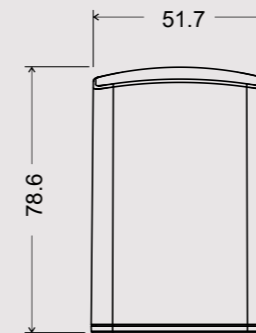
### CONNECTION DIAGRAM

Twilight switches with adjustable activation threshold (sensitivity), designed for wall or pole mounting (via support included in the package).  
The Vereg model also allows the adjustment of the hysteresis and of the intervention time.

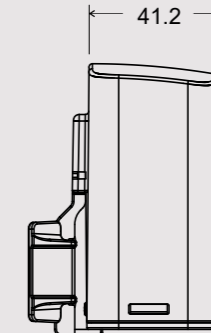


- 1 Cover: shockproof polycarbonate resin
- 2 Grommets for cables with sheathing maximum diameter 15 mm

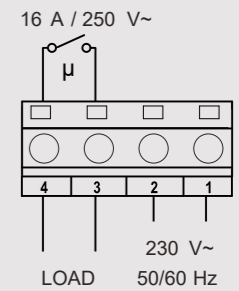
#### Front view



#### Side view



#### Diagram

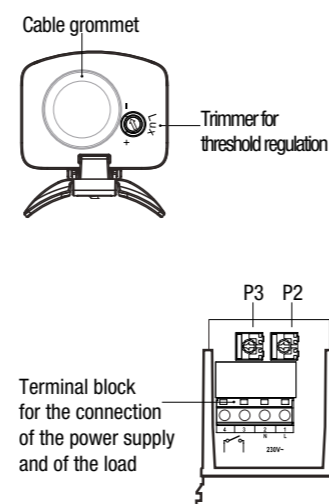


## TIME AND MANAGEMENT

### TECHNICAL INFORMATION

#### WALL-MOUNTING/POLE-MOUNTING TWILIGHT SWITCHES

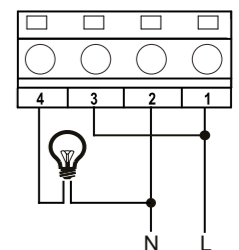
- Connectable loads:
  - Incandescent lamps: 800 W / 230 V
  - Fluorescent lamps: 360 W / 230 V ( $\cos\phi \geq 0.8$ )
- Output: relay with NO contact
- Maximum diameter of the hole for the passage of the cables: 15 mm
- Terminal block for conductors with maximum cables section of 1.5 mm<sup>2</sup>
- For Vereg model:
  - Trimmer P2: hysteresis setting
  - Trimmer P3: intervention time



#### GENERAL CHARACTERISTICS

Power supply	V AC	230 (-15% ÷ +10%) - 50 / 60 Hz
Absorption	VA (W)	3 (0.5)
Fastened		Wall / Pole
Contacts capacity at 250 V AC	A	16 (10)
Sensitivity	lux	3 ÷ 70
Intervention time:		
- Velux	s	10 (fixed)
- Vereg	s	0 ÷ 40
Hysteresis factor:		
- Velux	lux	4 (fixed)
- Vereg	lux	1 ÷ 10
Protection	IP	65
Operating temperature	°C	0 ÷ +55
Storage temperature	°C	-10 ÷ +60
Relative humidity	RH	20% ÷ 90% non condensing

Example of connection with 230 V ~ lamps



Code	Model	Fastened	Sensitivity
VJ57030000	Velux	Wall/Pole	3 ÷ 70 lux
VJ57110000	Vereg	Wall/Pole	3 ÷ 70 lux

#### REFERENCE STANDARDS

Compliance with Community Directives: 2014/35/EU (LVD) and 2014/30/EU (EMCD) is declared with reference to the following standards: 60669-2-1