

Twilight switch

Twilight switch built for pole installation, Vepal moreover can be wall mounted thanks to the bracket supplied.

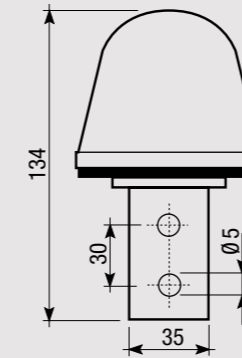


- 1 Shockproof polycarbonate resin cover
- 2 Wall fastening bracket

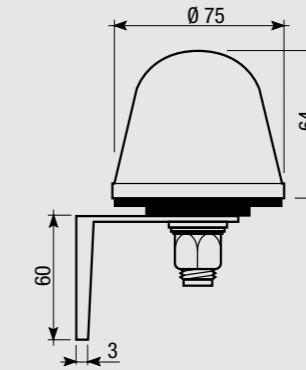
VEPAL

DIMENSIONS (mm)

Front view

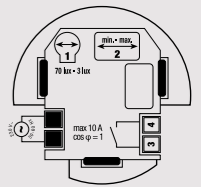


Side view



CONNECTION DIAGRAM

Diagram



- 1 Sensitivity adjustment
- 2 Hysteresis adjustment

TIME AND MANAGEMENT

TECHNICAL INFORMATION

WALL / POLE-MOUNTING TWILIGHT SWITCH

- Connectable load:
 - Incandescent lamps: 800 W / 230 V ($\cos\phi \geq 0.8$)
 - Fluorescent lamps: 360 W / 230 V ($\cos\phi \geq 0.8$)
- Output: relay with NO contact
- Relay capacity: 10 A / 250 V AC on resistive load
- Sensitivity: 3 ÷ 70 lux
- Hysteresis: 1 ÷ 10 lux
- Delay: 10 s fixed

GENERAL CHARACTERISTICS

Power supply	V AC	230 (-20% ÷ +10%) - 50 / 60 Hz
Absorption	VA (W)	8 (1)
Fastened		Wall / Pole
Contacts capacity at 250 V AC	A	10 (resistive load)
Sensitivity	lux	3 ÷ 70
Intervention time	s	10
Hysteresis factor	lux	1 ÷ 10
Operating temperature	°C	0 ÷ +50
Storage temperature	°C	-10 ÷ +60
Relative humidity	RH	20% ÷ 90% non condensing

Code	Model	Fastened	Sensitivity
VJ57370000	Vepal	Wall/Pole	3 ÷ 70 lux

REFERENCE STANDARDS

Compliance with Community Directives: 2014/35/EU (LVD) - 2014/30/EU (EMCD) is declared with reference to the following standards: 60669-2-1