

Electronic thermostats

KEO

Series of electronic thermostats with flush-mounting on 3 modules box designed to control the environment temperature both in heating and cooling, available both with AC power supply and battery supply.



- 1 Installation in flush-mounting 3 modules box (503 type)
- 2 Supports to adapt the instrument to the plates of the main civil series
- 3 Terminals on the back of the instrument for the connection of the output relay, of the power supply (for Keo-A only) and of the external contact (for Keo-B only)
- 4 Interchangeable cover available in white and anthracite grey colours (included in the package) and silver (you can buy separately)

FLUSH-MOUNTING THERMOSTATS

- Power supply:
 - 230 Vac 50/60 Hz for model Keo-A
 - 2 x 1.5V (AAA type) for model Keo-B
- Regulation mode summer/winter/off
- Temperature regulation
 - ON/OFF with fixed differential at 0.3°C
 - proportional with band 0.8°C and 8 minutes time base
 - Proportional with band 1.5°C and 15 minutes time base
- Off function with regulation on antifreeze temperature
- Bistable output relay contact 5A / 250 Vac
- Possibility to limit the settable setpoint values
- Input for clean contact for the reduction of the setpoint of 3°C (Keo-B only)

Placche adattabili

- | | |
|----------------------------|---------------------------------|
| ABB Chiara series | Bticino Livinglight Air series* |
| ABB Mylos series | Bticino Matix series |
| Ave S44 series | Gewiss Chorus series |
| Bticino Axolute series | Vimar Eikon series |
| Bticino Light series | Vimar Eikon Evo series |
| Bticino Light tech series | Vimar Idea series |
| Bticino Living series | Vimar Plana series |
| Bticino Livinglight series | Vimar Arké series |

* by mount you can buy on request

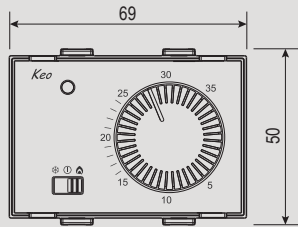
For information about the possibility to use different plates contact the technical assistance

Code	Model	Description	Colour	Power supply
VN171500	Keo-A	Electronic thermostat with knob	White/Grey	230 V~
VN170700	Keo-B	Electronic thermostat with knob	White/Grey	Batteries
VE602900	Fr.Keo-A	Silver cover and knob for Keo-A	Argento	
VE763100	Fr.Keo-B	Silver cover and knob for Keo-B	Argento	
VE470100	AIR	Mount for the use of the plate Bticino Livinglight Air series		

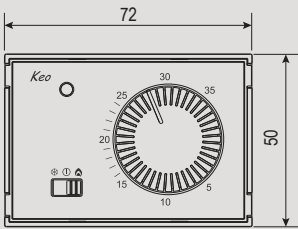
DIMENSIONS (mm)

Front view

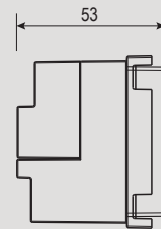
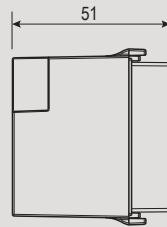
Keo-A



Keo-B

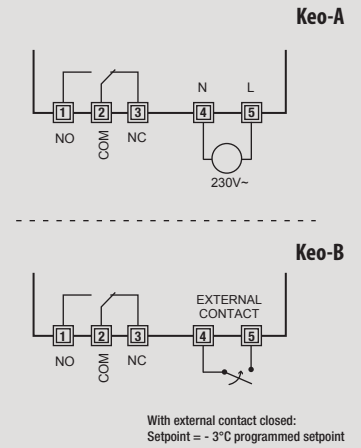


Side view



CONNECTION DIAGRAM

Diagram



TECHNICAL INFORMATION

CLIMATE CONTROL

GENERAL CHARACTERISTICS

Keo-A

Power supply	V AC	230 (-15% ÷ +10%)
Frequency	Hz	50/60
Mounting		flush
Maximum cables section	mm ²	1.5
Output relay capacity		5A / 250 V
Digital input		-
Operating mode		summer/winter /off
Setpoint range	°C	5 ÷ 35
Differential (fixed)	°C	0.3
Measurement precision	°C	0.5
Antifreeze temperature (fixed)	°C	2
Operating temperature	°C	0 ÷ 50
Storage temperature	°C	-10 ÷ 65
Operating humidity	RH	20% ÷ 90% non condensing
Protection degree		IP40

Keo-B

Alkaline batteries power supply		2 x 1.5V (AAA)
Battery life	months	12
Mounting		flush
Maximum cables section	mm ²	1.5
Output relay capacity		5A / 250 V
Digital input		for setpoint reduction
Operating mode		summer/winter/off
Setpoint range	°C	5 ÷ 35
Differential (fixed)	°C	0.3
Measurement precision	°C	0.5
Antifreeze temperature (fixed)	°C	2
Operating temperature	°C	0 ÷ 50
Storage temperature	°C	-10 ÷ 65
Operating humidity	RH	20% ÷ 90% non condensing
Protection degree		IP40

REFERENCE STANDARDS

Compliance with Community Directives: 2014/35/EU (LVD) 2014/30/EU (EMCD)
is declared with reference to the following standards: • EN 60730-2-9