

Electronic humidistats

Touch screen electronic humidistats with backlit display and wall installation designed for humidity regulation in domestic and tertiary environments. The keyboard consists of two icons located on the lower part of the touch sensitive display (touch screen). They are available in versions with mains power supply or with batteries.



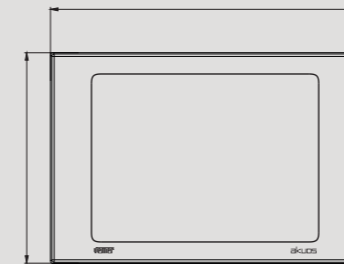
- 1 Plastic base for wall installation or to cover the in-built 3 modules box
- 2 Wide backlit display to view the measured humidity
- 3 Touch screen keys on the lower part of the display
- 4 Terminal on the back of the device for connecting the load and power supply (230V version)



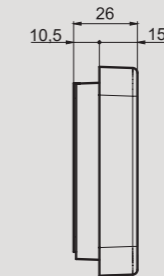
AKUOS

DIMENSIONS (mm)

Front view

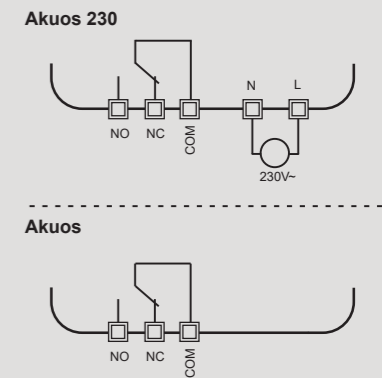


Side view



WIRING DIAGRAM

Diagram



CLIMATE CONTROL

WALL-MOUNTING HUMIDISTATS TOUCH SCREEN

- Wall-mounting or to cover the 3 modules flush-mounting box
- On-Off type humidity adjustment with fixed differential $\pm 2.5\%$ RH
- Adjustment range: 30% \div 90% RH or off
- Possibility of compensation $\pm 10\%$ RH through settable parameter
- Fixed blue backlighting of the display (deactivable) for 230V versions, activated when the keys are pressed for battery versions
- Possibility to limit the range of settable values
- Keypad lock with password to prevent modifications by unauthorized persons
- Display indications for:
 - low batteries
 - values out of range
 - failure



TECHNICAL INFORMATION

GENERAL CHARACTERISTICS

Akuos		
Power supply		2 battery 1,5 V (AAA)
Autonomy	month	12
Relay capacity a 250 V AC	A	5
Akuos 230		
Power supply	V AC	230 (-15% \div +10%)
Frequency	Hz	50/60
Maximum consumption	VA	6
Relay capacity a 250 V AC	A	5
Fixing type		wall mounting
Maximum cable section	mm ²	1,5

Regulation range	RH	OFF, 30% \div 90%
Measurement accuracy	RH	$\pm 5\%$
Differential	RH	$\pm 2.5\%$
Resolution	RH	1%
Time between 2 switching	s	60 (1 minute)
Operating temperature	$^{\circ}\text{C}$	0 \div 50
Storage temperature	$^{\circ}\text{C}$	-10 \div 65
Operating humidity		20% \div 90% not-condensing
Protection degree		IP40

Code	Model	Description	Colour	Power supply
VE476800	Akuos 230 Bianco	Wall-mounted touch screen humidistat with backlit display	White	230 V~
VE477600	Akuos 230 Nero	Wall-mounted touch screen humidistat with backlit display	Black	230 V~
VE791200	Akuos Bianco	Wall-mounted touch screen humidistat with backlit display	White	Batteries
VE791300	Akuos Nero	Wall-mounted touch screen humidistat with backlit display	Black	Batteries

REFERENCES STANDARDS

Compliance with Community Directives: 2014/35/EU (LVD) • 2014/30/EU (EMCD) is declared in reference to the following Standards: EN 60730-2-13 • EN 60730-2-13