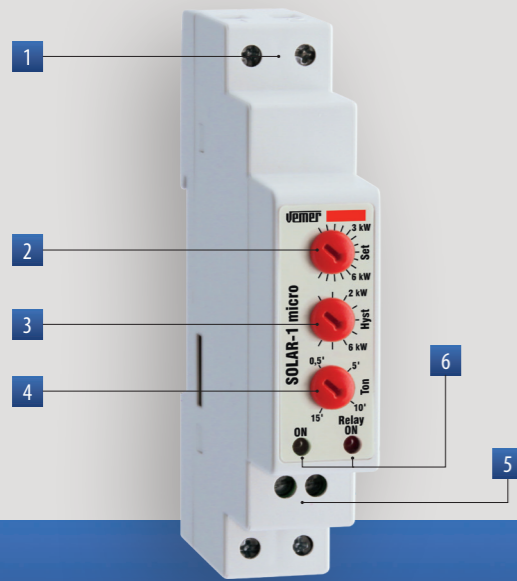


Loads control

SOLAR-1 Micro

CONNECTION DIAGRAM

Instrument designed to maximize the direct consumption of energy self-produced for example by your photovoltaic system.
The instrument measures the quantity of energy entered on the network and, if this one is higher than the set threshold, provides for the activation of the load.



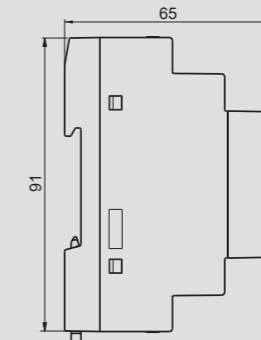
- 1 Terminals for load connection
- 2 Trimmer for setting the threshold (Set)
- 3 Trimmer for setting the release threshold of the load (Hyst)
- 4 Trimmer for setting the delay before inserting the load (Ton)
- 5 Terminals for voltage and current inputs
- 6 Signaling LEDs:
- green for power supply
- red for exceeded threshold indication
- 7 Toroid for the measurement of the current produced by the system of generation net of the one absorbed by the load



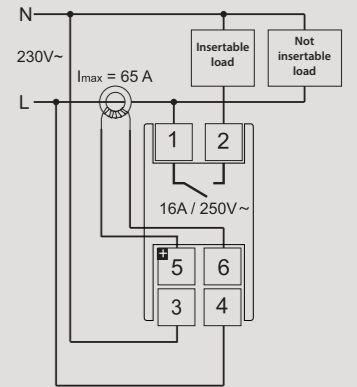
Front view



Side view



Diagram



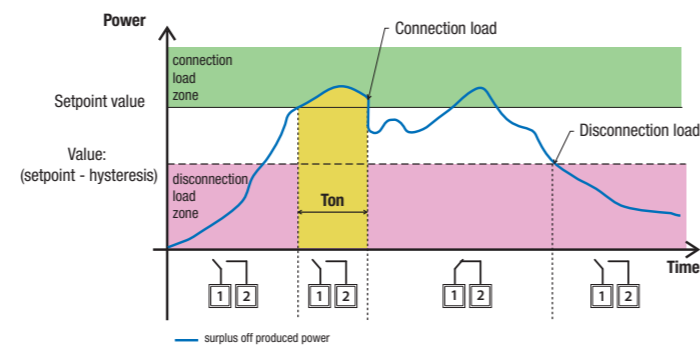
MEASUREMENT AND CONTROL

TECHNICAL INFORMATION

LOADS CONTROL 1 RELAY FOR SYSTEMS OF ENERGY PRODUCTION

- Power supply: 230 Vac (-15% ÷ +10%)
- Measurement of the current through toroid for values until 65 A
- 1 relè NO 16 A / 250 Vac
- Activation threshold (setpoint) settable between 1 to 8 kW
- Load release differential (hysteresis) settable between 0 to 8 kW
- Settable load insertion delay (Ton) 30 s to 15 min
- Alarm condition (exceeded threshold) signalled with red led

Operation diagram



GENERAL CHARACTERISTICS

Power supply	Vac	230 (-15% ÷ +10%)
Frequency	Hz	50 / 60
Maximum measureable current	A	65
Relay capacity at 250 Vac	A	16
Setpoint range	kW	1 ÷ 8
Load insertion delay	s	30 ÷ 900
Differential	kW	0 ÷ 8
Terminals for cables with maximum section of	mm ²	4
Operating temperature	°C	-10 ÷ 45
Operating humidity	HR	10% ÷ 90% non condensing

Storage temperature	°C	-10 ÷ 65
Container		1 DIN module
Protection degree		IP20 / IP40 (on the front panel)
Insulation		reinforced between accessible parts (front panel) and all other terminals

Code	Model	Description	Dimensions
VE793900	SOLAR-1 Micro	Load control for photovoltaic systems 1 relay	1 DIN module

REFERENCE STANDARDS

Compliance with Community Directives: 2014/35/UE (LVD) and 2014/30/UE (EMCD)
is declared with reference to the following Standards: • EN 61010-1 • EN 61000-6-2 • EN 61000-6-3



SOLAR-1 Micro-ENG-202208

