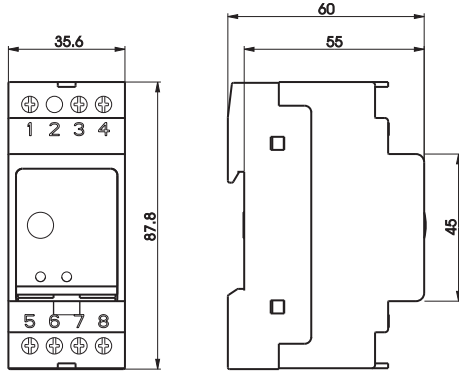


Vemer S.p.A.

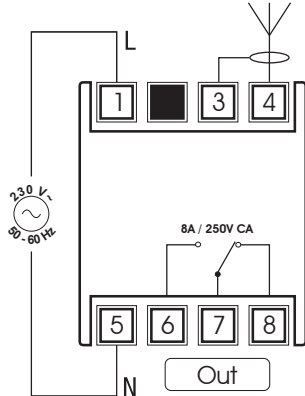
I - 32032 Feltre (BL) • Via Camp Lonc, 16  
 Tel +39 0439 80638 • Fax +39 0439 80619  
 e-mail: info@vemer.it - web site: www.vemer.it



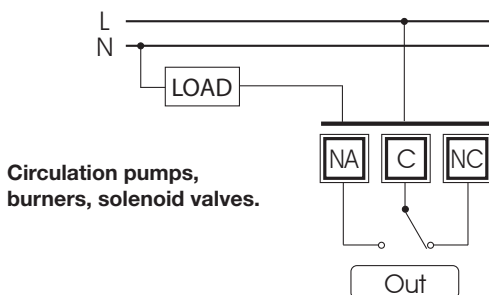
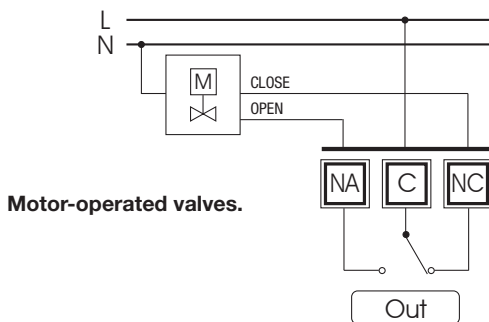
### Dimensions



### Connection diagram



### Connection examples



## User Manual

### REMOTE ACTUATOR MODEL RX1-8A

Read all the instructions carefully

- The remote actuator **RX1-8A** is an independently mounted automatic control for heating and air conditioning applications, designed for radio communications with **Athena** programmable thermostat and **Klio** digital thermostat.
- It provides a type 1B actions and it is designed for household and similar use with overvoltage category III (EN 61010-1) and normal pollution level (EN 60730-1).

### SAFETY WARNINGS

*During product installation and operation, the following safety instructions should be respected:*

- 1) **The appliance should only be installed by technical person support**
- 2) **Take out power supply during product installation**
- 3) **Do not power or connect the instrument if any part of it is damaged**
- 4) **Follow the connection diagrams described on this manual and over the product**

Code	Model	Description
VE015400	RX1-8A	Remote actuator

### CARACTÉRISTIQUES TECHNIQUES

- Power supply: 230 VAC (-15%/+10%) 50/60 Hz
- Outputs:
  - 1 relay 8A 250 V AC (resistive load)
  - external antenna (on request)
- Operating temperature: 0°C ÷ 50°C
- Storage temperature: -10°C ÷ 65°C
- DIN-rail mounting
- Protection degree: IP40

### USE

#### DISPLAY AND CONTROLS

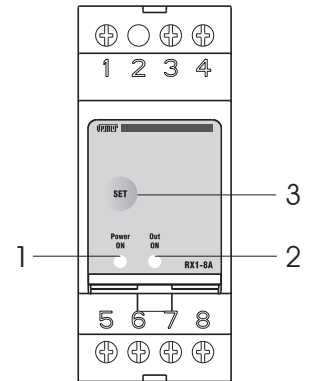
- 1 – Green LED operation function
- 2 – Red LED relay function
- 3 – Reset and programming. SET BUTTON

#### OPERATION

- In starting phase, the red LED flashes twice for some seconds (switching on- sequence).
- At the end of the switching on-sequence, the green LED signal normal device operation and the red LED relay status (light on = relay ON).
- The remote control (relay commutation ON/OFF) request from **Klio** digital thermostat and **Athena** programmable thermostat take place only after channel setting-up.
- The radio connection break down for more than 15 minutes between the transmitter and the receiver disconnects the relay and the red LED lightened. Restore of operations is automatic.

#### Channel setting-up

- During normal operation, press the SET key-button for almost three seconds to enter in modality-configuration. Green LED switch-off, red LED flash.
  - The appliance keep on modality-configuration for a maximum of 60 seconds within the actuator should receive a string configuration (see Athena and/or Klio instructions for string start-up modality).
  - On receipt of string, channel is setted-up and the actuator is on standard functioning.
  - For re-setting up, repeating the procedure.
- To reset channel setting-up, plug into configuration modality with SET button, then push the same one for three seconds and wait for green led switching on. A new channel setting up cancels the previous configuration.



### STANDARDS REFERENCE

Conformity with EU Directives:

**2006/95/EC** (Low Voltage)

**2004/108/EC** (E.M.C.)

is declared with reference to the following standards:

- **Safety:** EN 60730-1
- **Electromagnetic compatibility:** EN 301 489-1/3 and EN 300 220-3