

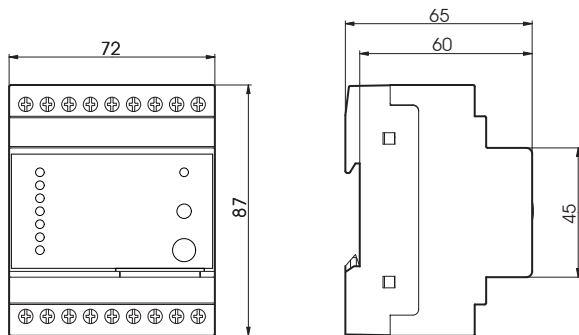


Vemer S.p.A.

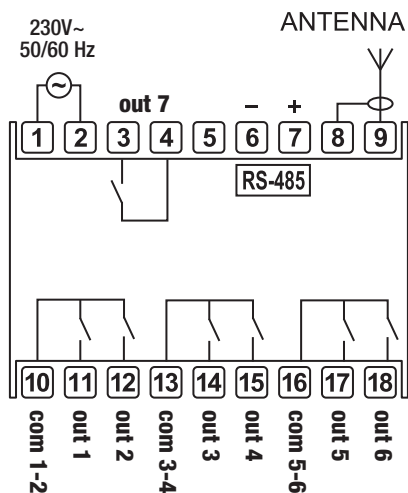
I - 32032 Feltre (BL) • Via Camp Lonc, 16  
Tel +39 0439 80638 • Fax +39 0439 80619  
e-mail: info@vemer.it - web site: www.vemer.it

Mod. **RX7-5A**

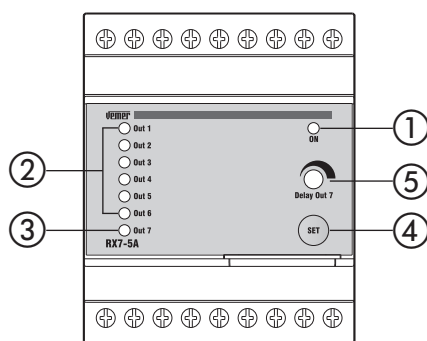
### Dimensions



### Connection diagram



### Description



## User Manual

### REMOTE ACTUATOR MODEL RX7-5A

⚠ Read all the instructions carefully

- The remote actuator **RX7-5A** is an electronic independently mounted automatic control for heating and air conditioning applications, designed for communications in the range of Vemer thermostat and programmable thermostat via radiofrequency or via bus.
- It provides a type 1B actions and it is designed for household and similar use with overvoltage category III and pollution level 2 (EN 60730-1).

### SAFETY WARNINGS

*During product installation and operation, the following safety instructions should be respected:*

- 1) **The instrument should be installed by qualified personnel**
- 2) **Before touching the terminals, make sure there is no power supply to the electric wires**
- 3) **Do not power or connect the instrument if any part of it is damaged**
- 4) **Follow the connection diagrams described on this manual and over the instrument**
- 5) **The electrical system of the building in which the instrument is to be installed should have a switch and a protective device against over-currents.**
- 6) **The instrument must be installed and activated in compliance with current electric systems standards**
- 7) **After installation, inaccessibility to the connection terminals without appropriate tools must be granted.**

Code	Model	Description
VE443800	RX7-5A	Remote actuator

### TECHNICAL SPECIFICATIONS

- Power supply: 230 VAC (-15%/+10%) 50/60 Hz
- Absorption: 3 W (8 VA)
- Outputs:
  - 6 relays with normally open contact 5A/250 V AC for zone valves activation
  - 1 relays with normally open contact 5A/250 V AC for pump activation
  - terminals to connect an external antenna (included in the box)
  - serial port for **Athena** network connection (RS-485)
- Relay 7 switching delay setting from 3 second to 5 minutes by trimmer
- Terminals for cable with 6 mm<sup>2</sup> maximum section
- Operating temperature: 0°C ÷ 50°C
- Storage temperature: -10°C ÷ 65°C
- Operating humidity: 20 ÷ 90% non condensing
- Enclosure: 4 module DIN
- Protection degree: IP20 (IP40 when correctly installed in an electrical panel)
- Insulation: reinforced among frontal and all other terminals

### OPERATION

- ① GREEN LED: operation function (power supply)
- ② RED LEDS: relay status (output 1 - 6)
- ③ YELLOW LED: relay status (output 7)
- ④ SET KEY for programming and reset channel
- ⑤ TRIMMER to set the relay 7 switching delay

### OPERATION

- In starting phase, the red leds and yellow led flashes twice for some seconds (switching on-sequence).
- At the end of the switching on-sequence, the green LED signal normal device operation and the red LEDs relay status (light on = relay ON).  
If at least one of the zone valve output (relay 1 ... relay 6) is turn on, automatically is also activated the pump output (relay 7), with a delay that can be set from 3 seconds to 5 minutes by trimmer on the front of the instrument.
- The remote control (relay commutation ON/OFF) request from thermostats and programmable thermostats take place only after channel setting-up.
- The radio connection break down for more than 15 minutes between the transmitter and the receiver disconnects the relay/relays and the red LED/LEDs lightened. Restore of operations is automatic.

#### Channel setting-up

- During normal operation, press the SET key-button for almost three seconds to enter in modality-configuration. Green LED switch-off, red LED flash. Press the SET key-button to select the output relay.
- The instrument keep on modality-configuration for a maximum of 60 seconds within the actuator should receive a string configuration (see thermostats or programmable thermostats instructions for string start-up modality).
- On receipt of string, channel is setted-up and the actuator is on standard functioning.
- For re-setting up, repeating the procedure.
- To reset channel setting-up, plug into configuration modality with SET button, then push the same one for three seconds and wait for green led switching on.

### SERIAL OUTPUT

RX7-5A features an insulated serial output RS 485 for communication. It is possible to connect up to 31 instruments up to a maximum distance of 40 m.

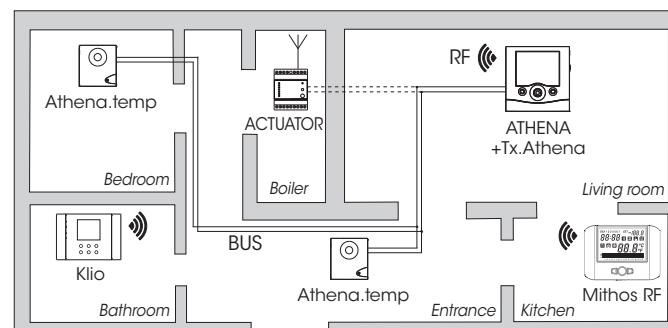
**Note: It is possible to connect a remote actuator with different programmable thermostats Athena. In this case it is necessary to configure different zones for each Athena. Example: 2 Athena are connected with a remote actuator: if Z1 is selected in the first Athena, then Z2, Z3 or Z4 must be selected in the second Athena.**

### STANDARDS REFERENCE

Conformity to the EU directives:  
2006/95/EC (Low Voltage)  
2004/108/EC (Electromagnetic Compatibility)  
is declared with reference to the following harmonized standard:

- EN 60730-1
- EN 301 489-1/3 and EN 300 220-1/2

### Network example



- **Living room** probe: built into **Athena** programmable thermostat
- **Bedroom** probe: remote, connection to **Athena** via bus 485
- **Bathroom** probe: built into **Klio**
- **Entrance** probe: remote, connection to **Athena** via bus 485
- **Kitchen** probe: built into **Mithos RF**

The air-conditioning equipment is controlled by means of a remote actuator (**RX7-5A**) via RF and/or 485 bus.