



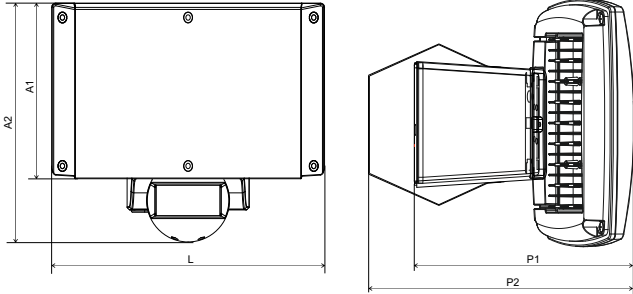
Vemer S.p.A.

I - 32032 Feltre (BL) • Via Camp Lonc, 16
e-mail: info@vemer.it - web site: www.vemer.it

Mod. Sensor LED Sensor 2LED

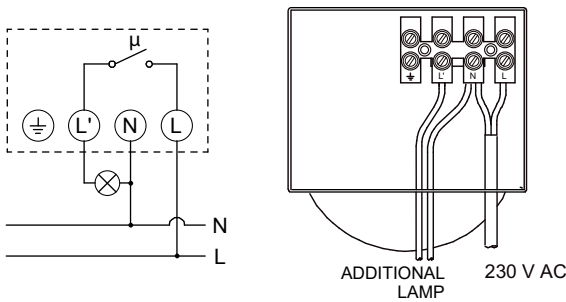


Dimensions



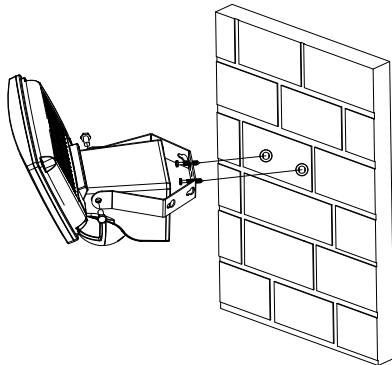
	A1	A2	L	P1	P2
Sensor LED	100	150	175	155	175
Sensor 2LED	135	185	205	170	190

Connection diagrams



Incandescent		1000 W	Low consumption lamp (CFL)		250 VA
Non-compensated fluorescent		500 VA	Halogen (230V)		1000 W
Compensated fluorescent		150 VA	LED		125 VA

Wall-mounting



information to users pursuant to art. 14 of the directive 2012/19 / EU of the european parliament and of the council of 4 july 2012 on waste electrical and electronic equipment (WEEE)

If the crossed-out bin symbol appears on the equipment or packaging, this means the product must not be included with other general waste at the end of its working life.

The user must take the worn product to a sorted waste center, or return it to the retailer when purchasing a new one.

Products for disposal can be consigned free of charge (without any new purchase obligation) to retailers with a sales area of at least 400 m², if they measure less than 25 cm.

An efficient sorted waste collection for the environmentally friendly disposal of the used device, or its subsequent recycling, helps avoid the potential negative effects on the environment and people's health, and encourages the re-use and/or recycling of the construction materials.

User manual

Movement detectors with LED headlight

Read all instructions carefully

- The **Sensor LED** and **Sensor 2LED** proximity switches are electronic switching devices containing micro-disconnection (μ) according to EN 60669-2-1. They have an LED headlight (single for Sensor LED, double for Sensor 2LED) that is activated when a heat source moves in front of the device and is deactivated when no movement is intercepted, after a settable period of elapsed time. They also have a relay for the connection of an external device (an auxiliary headlight, an audible alarm, ...) which is activated simultaneously with the headlight.

SAFETY WARNINGS

- During installation and operation of the device, comply with the following instructions:**
- The device must be installed by a skilled person, in strict compliance with the connection diagrams**
 - Do not power on or connect the device if any part of it is damaged**
 - In the building where the device is to be installed, there must be a switch and a device for protection from overloads**
 - Before touching the connector terminals make sure that the wires to be connected are not live.**

Code	Model	Description
VE767200	Sensor LED	Movement detector 200° with LED headlight 13W
VE767300	Sensor 2LED	Movement detector 200° with 2 LED headlights 2x13W

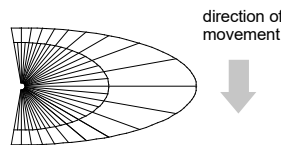
TECHNICAL CHARACTERISTICS

- Power supply: 230V AC 50Hz
- Type of LED headlight:
 - Sensor LED: 1x13W, 1000 lm
 - Sensor 2LED: 2x13W, 2000 lm
 - Colour temperature: 4000K
- Relay with breaking capacity of 10A / 250V AC (on resistive load)
- Maximum cables section: 2 x 1.5 mm²
- Range of brightness: 5-1000 lux
- Intervention time: from 3 seconds to 30 minutes (approximate)
- Angle of detection: 200°
- Range of detection:
 - frontal 12m at 20°C
 - lateral 8m at 20°C
- Operating temperature: -20 °C ÷ +40 °C
- Protection degree: IP55
- Insulation: class II

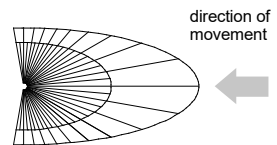
INSTALLATION

- The device must be installed far from inductive loads (motors, transformers, telephone antennas, transformer plants, industrial machinery, etc.) as especially strong magnetic fields may alter operation. The device must also be protected from sunlight. It must not be placed near lights, near devices that are subject to temperature changes (heating, air conditioning). It must be located far from highly reflective surfaces. Remove the cover by loosening the screw at the bottom. Fasten the base cover at the point on the wall where you want to install it, at a height of 2-3 metres. The direction of movement of the heat source must be transversal to lens of the device, because detection occurs by means of intersection of bands. Therefore, if source moves parallel to the bands, detection will occur at a lesser distance. The ambient temperature also affects the sensitivity of the device. The higher the temperature, the poorer sensitivity will be.
- The head can rotate horizontally of about 180° and vertically of about 45°. To adjust the field of detection:
 - turn the intervention time selector to the minimum and the brightness selector to (☉);
 - check coverage by moving inside the field of detection.
 The device is also equipped with limiters of the detection area which, if applied to the lens, make it possible to exclude one or more sectors of the field of detection.
- To adjust the brightness, turn the selector towards (☾); when the ambient brightness is as desired for operation, start turning the selector the other way, until illumination occurs.
- To adjust the intervention time, turn the selector (☉) to the desired position. You can choose from a minimum of 3 seconds to a maximum of 30 minutes. This time is reset each time there is an interception by the detector.

GREATER SENSITIVITY



LESS SENSITIVITY



OPERATION

- At start and after each restoring of the power supply after a blackout, the sensor activates the LED headlight and the load connected for 30 seconds, regardless of the brightness level and the actual presence of movement in the field of detection.
- During normal operation, when the level of brightness drops below the set level, the device sets up for detection, and signals this condition via flashing of the internal LED.

REFERENCE STANDARDS

Conformity to the EU directives:
2014/35/EU (LDV)
2014/30/EU (EMCD)
is declared with reference to harmonized standard:
EN 60598-1/EN 60598-2-1