

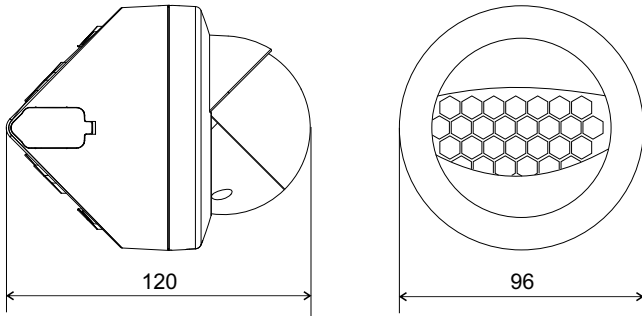
Vemer S.p.A.

I - 32032 Feltre (BL) • Via Camp Lonc, 16
e-mail: info@vemer.it - web site: www.vemer.it

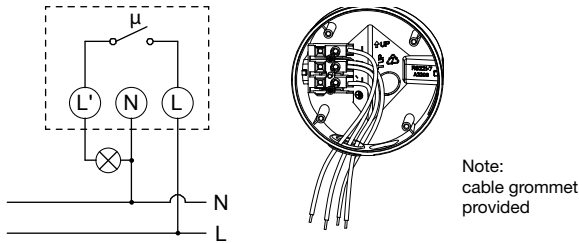
Mod. Sensor CORNER



Dimensions

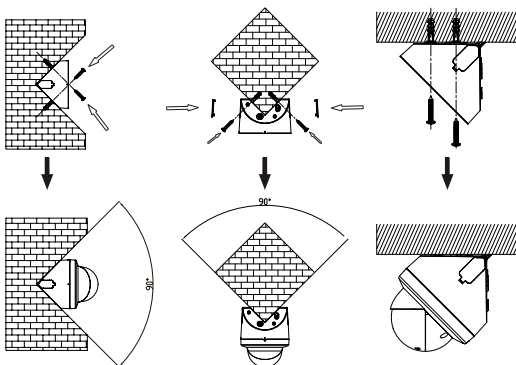


Connection diagrams



| | | | | | |
|-----------------------------|--|--------|---------------------|--|--------|
| Incandescent | | 1000 W | Low voltage halogen | | 200 W |
| Non-compensated fluorescent | | 500 W | Halogen (230V) | | 1000 W |
| Compensated fluorescent | | 250 W | LED | | 150 W |
| Low consumption lamp (CFL) | | 500 VA | | | |

Wall-mounting



Note: screws and plugs provided



information to users pursuant to art. 14 of the directive
2012/19 / EU of the european parliament and of the council
of 4 july 2012 on waste electrical and electronic equipment (WEEE)

If the crossed-out bin symbol appears on the equipment or packaging,
this means the product must not be included with other general
waste at the end of its working life.

The user must take the worn product to a sorted waste center,
or return it to the retailer when purchasing a new one.

Products for disposal can be consigned free of charge (without any new purchase obligation)
to retailers with a sales area of at least 400 m², if they measure less than 25 cm.

An efficient sorted waste collection for the environmentally friendly disposal of the used device,
or its subsequent recycling, helps avoid the potential negative effects on the environment
and people's health, and encourages the re-use and/or
recycling of the construction materials.

User manual

Angular movement detectors

Read all instructions carefully

- **Sensor CORNER** proximity switch is an electronic device containing micro-disconnection (μ) according to EN 60669-2-1. The output circuit is activated when a heat source moves in front of the device and is deactivated when no movement is intercepted, after a settable period of elapsed time.

SAFETY WARNINGS

During installation and operation of the device, comply with the following instructions:

- 1) **The device must be installed by a skilled person, in strict compliance with the connection diagrams**
- 2) **Do not power on or connect the device if any part of it is damaged**
- 3) **In the building where the device is to be installed, there must be a switch and a device for protection from overloads**
- 4) **Before touching the connector terminals make sure that the wires to be connected are not live.**

| Code | Model | Description |
|----------|---------------|---|
| VE767400 | Sensor CORNER | Movement detector with angular-mounting |

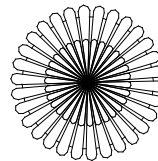
TECHNICAL CHARACTERISTICS

- Power supply: 230 V AC 50 Hz
- Relay with breaking capacity of 10 A / 250 V AC (on resistive load)
- Maximum cables section: 2 x 1.5 mm²
- Range of brightness: 2-2000 lux
- Intervention time: from 3 seconds to 30 minutes (approximate)
- Angle of detection: 200°
- Range of detection: - frontal 12 m at 20 °C
- lateral 8 m at 20 °C
- Operating temperature: -20 °C ÷ +40 °C
- Protection degree: IP55
- Insulation: class II

INSTALLATION

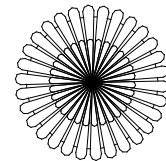
- The device must be installed far from inductive loads (motors, transformers, telephone antennas, transformer plants, industrial machinery, etc.) as especially strong magnetic fields may alter operation. The device must also be protected from sunlight. It must not be placed near lights, near devices that are subject to temperature changes (heating, air conditioning). It must be located far from highly reflective surfaces. We recommend installing the device at a height of 2-3 metres. The direction of movement of the heat source must be transversal to lens of the device, because detection occurs by means of intersection of bands. Therefore, if source moves parallel to the bands, detection will occur at a lesser distance.

LESS SENSITIVITY



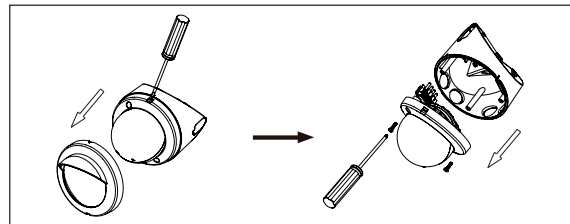
direction of movement

GREATER SENSITIVITY



direction of movement

The ambient temperature also affects the sensitivity of the device. The higher the temperature, the poorer sensitivity will be.



- The head can rotate of about 45°. To adjust the field of detection:
-turn the intervention time selector to the minimum and the brightness selector to (☉);
-check coverage by moving inside the field of detection.
- To adjust the brightness, turn the selector towards (☾); when the ambient brightness is as desired for operation, start turning the selector the other way, until illumination occurs.
- To adjust the intervention time, turn the selector (☺) to the desired position. You can choose from a minimum of 3 seconds to a maximum of 30 minutes. This time is reset each time there is an interception by the detector.

OPERATION

- At start and after each restoring of the power supply after a blackout, the sensor activates the load connected for 30 seconds, regardless of the brightness level and the actual presence of movement in the field of detection.
- During normal operation, when the level of brightness drops below the set level, the device sets up for detection, and signals this condition via flashing of the internal LED.

REFERENCE STANDARDS

Conformity to the EU directives:
2014/35/EU (LDV), 2014/30/EU (EMCD)
is declared with reference to harmonized standard: EN 60669-2-1