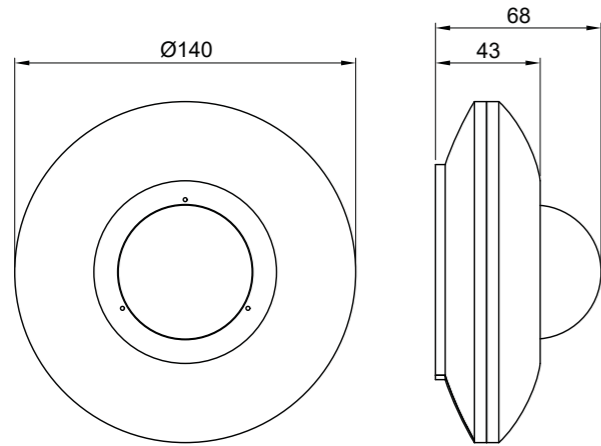




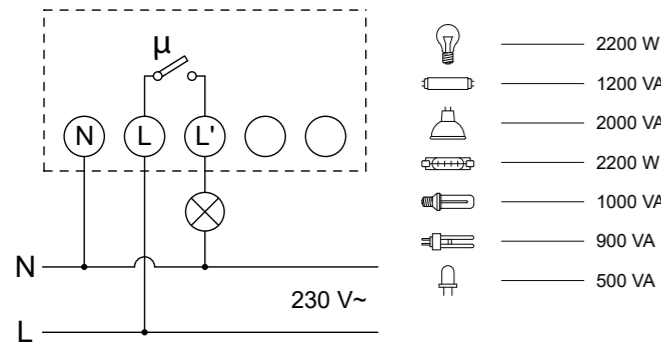
**Vemer S.p.A.**  
I - 32032 Feltre (BL) • Via Camp Lonc, 16  
e-mail: info@vemer.it - web site: www.vemer.it



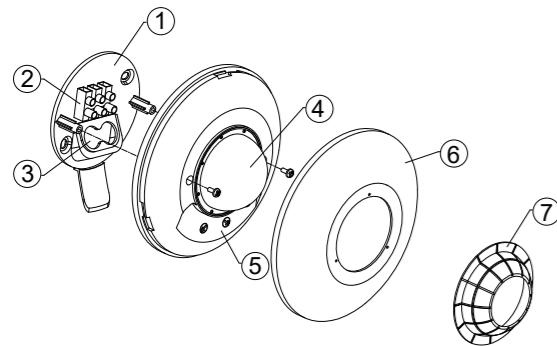
**Dimensions**



**Connection diagram**



**Description**



- ① Fixing base
- ② Terminal block
- ③ Cable entries
- ④ Sensor
- ⑤ Selectors
- ⑥ Front cover
- ⑦ Detection area limiter



*Information to users pursuant to art. 14 of the directive 2012/19 / EU of the European Parliament and of the Council of 4 July 2012 on waste electrical and electronic equipment (WEEE)*

If the crossed-out bin symbol appears on the equipment or packaging, this means the product must not be included with other general waste at the end of its working life.

The user must take the worn product to a sorted waste center, or return it to the retailer when purchasing a new one.

Products for disposal can be consigned free of charge (without any new purchase obligation) to retailers with a sales area of at least 400 m<sup>2</sup>, if they measure less than 25 cm.

An efficient sorted waste collection for the environmentally friendly disposal of the used device, or its subsequent recycling, helps avoid the potential negative effects on the environment and people's health, and encourages the re-use and/or recycling of the construction materials.

**User manual**

**Movement detector**

**⚠ Read all instructions carefully**

- The **Sensor-360L** proximity switch is an electronic switching device containing micro-disconnection (μ) of opening between the contacts (EN 60669-2-1). The output circuit is activated when a heat source moves in front of the device and is deactivated when no movement is intercepted, after a settable period of time. The movement detector circuit only reacts when the light conditions are below the selected level.

**SAFETY WARNINGS**

*During installation and operation of the device, comply with the following instructions:*

- 1) **The device must be installed by a skilled person, in strict compliance with the connection diagrams**
- 2) **Do not power on or connect the device if any part of it is damaged**
- 3) **In the building where the device is to be installed, there must be a switch and a device for protection from overloads**
- 4) **Before touching the terminals make sure that the conductors to be connected to the device are not live.**

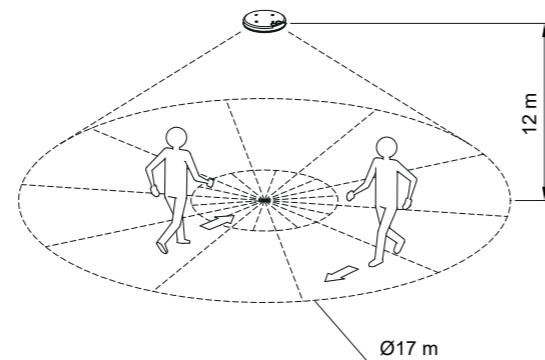
Code	Model	Description
<b>VE787800</b>	<b>Sensor-360L</b>	Movement detector 360° - ceiling mounting
<b>VE787900</b>	<b>TC.Sensor</b>	Infrared remote control for Sensor-360L

**TECHNICAL CHARACTERISTICS**

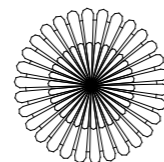
- Power supply: 230V AC 50Hz
- Breaking capacity: 10A 250V AC (resistive load)
- Consumption: 8VA (1W)
- Range of brightness: from 10 to 1000 lux
- Time range: from 1 second to 10 minutes (approximate)
- Detection angle: 360°
- Maximum installation height: 12 meters
- Blue LED to indicate the status of the device
- Operating temperature: -10 °C ÷ +40°C
- Protection degree: IP44
- Insulation: class II

**INSTALLATION**

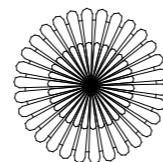
- The device must be installed far from inductive loads (motors, transformers, telephone antennas, transformer plants, industrial machinery, etc.) as especially strong magnetic fields may alter operation. The device must also be protected from rain and sunlight, it must not be placed near lights, near devices that are subject to temperature changes (heating, air conditioning) and far from highly reflective surfaces.
- The detection area directly depends on the installation height; in particular, an installation at 12 meters height, permits to detection a field of 8.5 meters ray.



- The sensitivity is instead influenced by the environment temperature (the higher the temperature, the worse the sensitivity) and by the direction of the movement to be detected.



LESS SENSITIVITY



GREATER SENSITIVITY

**PUTTING INTO SERVICE**

**Detection range adjustment**

To set the detection area:

1. Rotate the **SENS** selector to the maximum position, the **LUX** selector in position **☼** and the **TIME** selector in position **⌚**.
2. Then move within the limits of the detection range to check coverage. If necessary, use the **SENS** selector to reduce the limits of the detection field.

Sensor 360L is supplied with a detection area limiter (7), which is divided into 8 sectors with three heights. Each sector covers an angle of 45°. The limiter of area (7) must not be used if you want to allow the detection over the 360° area. Otherwise, cut the limiter according to the area to be covered and place it on the sensor 360L lens.

**Luminosity adjustment**

The device activates the output circuit only when the lighting conditions are below the level selected with the **LUX** selector. Rotate the **LUX** selector to the position **☼** so that the device works in any light condition; vice versa, rotate it to the **☾** position to make the device work only in low light conditions.

To set an intermediate brightness level:

1. Rotate the **LUX** selector to the **☾** position and wait for the the desired level of brightness
2. Then begin to rotate the **LUX** selector towards higher values until, moving within the detection range, the output circuit is activated

Note: brightness measurement occurs only when the output circuit is open.

**Intervention time adjustment**

The intervention time indicates how long the output circuit remains open (relay ON) following a detection.

Use the **TIME** selector to adjust the intervention time:

- impulse function **⌚** : 1 second ON, 4 seconds OFF (minimum time)
- 10 or 30 seconds
- 1, 2, 3, 5 or 10 minutes (maximum time)

The timings from 10 seconds to 10 minutes are repeated at each detection.

At the end of the adjustment operations, replace the front cover (6) in its seat, taking care to insert the teeth of the cover in the appropriate seats and turn it clockwise.

*The adjustments made with the selectors have an effect on the device from the moment you leave the detection area and wait for the circuit to open.*

The status of the device is indicated by the blue LED:

- permanently on: output circuit closed (relay ON)
- flashing: the lighting conditions are below the set level.
- The device is in standby waiting for detection
- off: the luminosity conditions are above the set level

**PROGRAMMING WITH THE REMOTE CONTROL TC.SENSOR**

The remote control **TC.SENSOR** allows remote programming (max. 8 m) of the installed detector, without the need to intervene directly on the device selectors and therefore without the use of stairs.

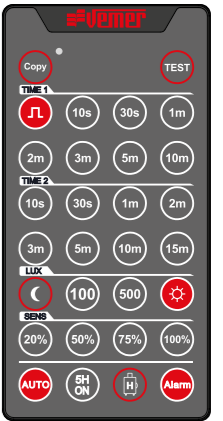
When the **Sensor-360L** receives a signal from the remote control, the blue LED flashes for a moment.

**Test mode**

Allows you to check the detection of each movement detector.

Press the **TEST** button and move inside the detection area and check its coverage.

In this mode, the proximity switch detection action occurs regardless of the brightness. If the mode is not changed manually, after 5 minutes it will switch to AUTO mode.



**Auto mode**

To program the automatic operation of the movement detector, press the **AUTO** button and then select the time (**TIME 1**) for the system to be switched on. You can select between **⌚** (1 second ON and 4 seconds OFF), 10 seconds, 30 seconds, 1 minute, 2 minutes, 3 minutes, 5 minutes or 10 minutes. Then you select the **LUX** luminosity (value below which the detection of the movement detector will take place) being able to choose one of these values: **☾** (detection only at night), 100 Lux, 500 Lux or **☼** (detection in any situation of luminosity both during the day than at night).

To set the **SENS** sensitivity choose one of the following values: 20% (minimum sensitivity), 50%, 75% or 100% (maximum sensitivity).

TC.Sensor has an internal memory for saving the last set of parameters set. This allows you to replicate the programming of parameters on multiple Sensor-360L, simply by pressing the **"Copy"** button.

**SPECIAL programmings MODES**

**Mode 5h ON**

Press **5h ON** so that it stays on continuously for 5 hours to allow for cleaning, maintenance, etc. After this time has elapsed, it will automatically switch to **AUTO** mode.

**Holiday mode**

The holiday mode **H** means that, during long periods of absence, our system simulates a daily presence. When programming this function, the presence detector will turn on the system for one hour when the selected lighting conditions occur; after this period of time it will carry out random ignitions over the next two hours with ignition operations varying between 5 and 15 minutes.

**Alarm mode**

With the **"Alarm"** function the movement detector, after the detection of a movement, it will activate the system with an on-off alarm sequence of 1 second for a duration of 30 seconds. During the last 3 seconds, the on-off sequence will happen every 0.5 seconds.

**REFERENCE STANDARDS**

Conformity to the EU directives:  
2014/35/EU (LVD)  
2014/30/EU (EMCD)  
is declared with reference to harmonized standard:  
EN 60669-2-1