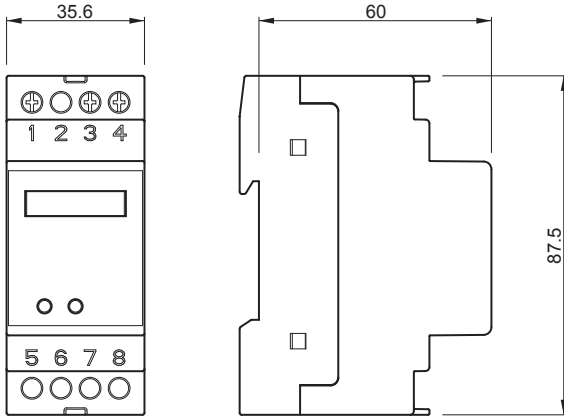


Vemer S.p.A.

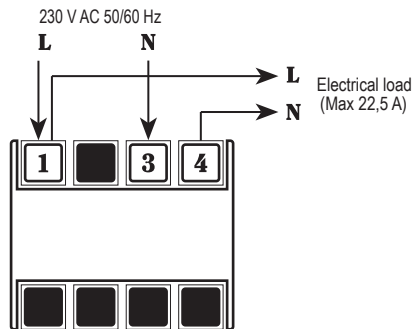
I - 32032 Feltre (BL) • Via Camp Lonc, 16  
 Tel +39 0439 80638 • Fax +39 0439 80619  
 e-mail: info@vemer.it - web site: www.vemer.it



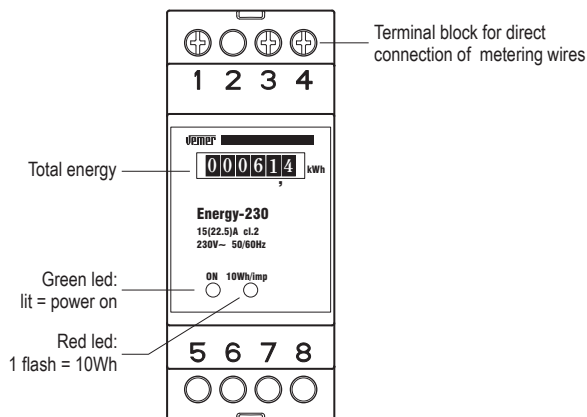
### Dimensions



### Connection



### Description



## User Manual

### SINGLE-PHASE ACTIVE ENERGY METER

⚠ **Read all the instructions carefully**

- The **Energy-230 LC** static energy meter is an appliance to read active energy in single-phase 230V systems. It is designed to operate in environments with measurement category III and pollution level 2 according to EN 61010-1 standard.

### SAFETY WARNINGS

To guarantee correct installation, proceed as follows:

- 1) The appliance should be installed by a qualified operator
- 2) The appliance should be installed in a panel in such a way as to guarantee that the terminals are inaccessible after fitting
- 3) A protection device against over-currents should be installed in the electrical system, upstream of the energy meter
- 4) Connect the instrument as shown in the alongside diagrams
- 5) Before touching the connector terminals make sure that the wires to be connected or already connected to the instrument are not live
- 6) Do not power or connect the instrument if any part of it is damaged
- 8) The instrument must be installed and activated in compliance with current electric systems standards.

Code	Model	Description
VN960100	Energy-230 LC	Single-phase active energy meter

### TECHNICAL SPECIFICATIONS

- Power supply: 230 V CA (-15%/+10%), 50/60 Hz
- Maximum power consumption: 4 VA
- Basic current:  $I_b = 15A$
- Maximum current:  $I_{MAX} = 22,5 A$
- Starting current:  $\leq 50 mA$
- Current circuit consumption:  $< 2 VA$
- Operating temperature:  $-10 \div +45 ^\circ C$
- Storage temperature:  $-20 \div +60 ^\circ C$
- Relative humidity:  $10\% \div 90\%$  non-condensing
- Connection type: direct for current conductors
- Signaling leds: green = power on  
red = flashing at 10Wh
- Accuracy: class 2 (EN 62053-21)
- Display: 6-digit mechanical counter
- Reading resolution: 0,1 kWh (full scale: 99999,9 kWh)
- Housing: 2 DIN, gray RAL 7035
- Protection degree: IP20/IP51 on the front

### OPERATION

- In normal operation, the **green** led is on and the **red** led flashes in proportion to the active power (flashing at 10Wh).  
The meter counts the consumption of active power with a resolution of 0,1 kWh.

### PHASE ERROR

- When the energy meter is turned on, a connection check-up is automatically carried out to detect any connection errors: in case of improper connection, the **red** and **green** leds flash alternate and the meter is locked.

**Warning: to restore correct meter operation after an error reading has been showed, switch the meter off, invert connections of voltage or current and turn on again.**

### REFERENCE STANDARDS

Conformity to EU directives:  
 2006/95/EC (Low Voltage)  
 2004/108/EC (EMC)  
 is declared with reference to the following harmonised standards:  
**EN 61010-1** and **EN 62053-21**