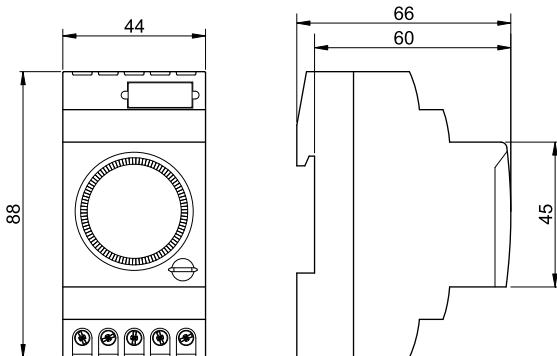




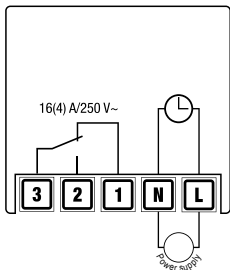
Vemer S.p.A.

I - 32032 Feltre (BL) • Via Camp Lonc, 16
e-mail: info@vemer.it - web site: www.vemer.it

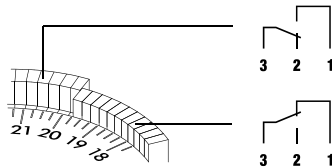
DIMENSIONS



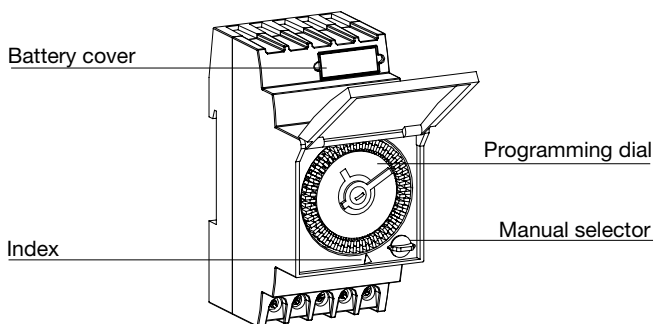
CONNECTION DIAGRAMS



Incandescent		3000 W
Fluorescent		1200 VA
Low voltage halogen		2000 VA
Halogen (230 V~)		3000 W
Low consumption lamp (CFL)		1000 VA
Low consumption lamp (CFL)		900 VA
Led		200 VA



DESCRIPTION



information to users pursuant to art. 14 of the directive 2012/19 / EU of the european parliament and of the council of 4 July 2012 on waste electrical and electronic equipment (WEEE)



If the crossed-out bin symbol appears on the equipment or packaging, this means the product must not be included with other general waste at the end of its working life.

The user must take the worn product to a sorted waste center, or return it to the retailer when purchasing a new one.

Products for disposal can be consigned free of charge (without any new purchase obligation) to retailers with a sales area of at least 400 m², if they measure less than 25 cm.

An efficient sorted waste collection for the environmentally friendly disposal of the used device or its subsequent recycling, helps avoid the potential negative effects on the environment and people's health, and encourages the re-use and/or recycling of the construction materials.

USER MANUAL

ANALOG TIME SWITCH WITH TRIPPERS

Read carefully all instructions

- The **ARVO-D**, **ARVO-ED** and **ARVO-W** time switches control any electrical installation by means of daily (Arvo-D/Arvo-ED) or weekly (Arvo-W) programs. For models ARVO-D and ARVO-W the cover on the front of the device makes it possible to replace the battery when it is run down. They are designed for household and similar operation with normal pollution levels.

SAFETY WARNINGS

- The device must be installed and activated by qualified personnel, following the connection diagrams provided in this manual scrupulously
- After installation, it must be made impossible to access the terminals without specific tools
- Before accessing the connection terminals, verify that the leads are not live
- Do not connect or power the device if any part of it is damaged
- The device must be installed and activated in compliance with current electric systems standards
- Do not use the device for purposes other than those indicated.

Code	Model	Description	Power supply
VP882500	ARVO-D	Daily analog time switch with power reserve	230 Vac
VP882501	ARVO-D	Daily analog time switch with power reserve	115 Vac
VP882510	ARVO-D	Daily analog time switch with power reserve	12 Vdc
VE785500	ARVO-ED	Daily analog time switch without power reserve	230 Vac
VP883300	ARVO-W	Weekly analog time switch with power reserve	230 Vac

TECHNICAL CHARACTERISTICS

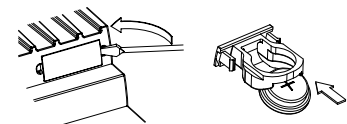
- Power supply (depending on model):
 - 115 or 230 V AC ($\pm 10\%$) - 50/60 Hz
 - 12 V DC ($\pm 20\%$)
- Power consumption: 0.5 W
- Switching capability: 16 (4) A 250 V~
- Operating accuracy: ± 1 second/day at 23°C
- Type of dial:
 - ARVO-D/ ARVO-ED: 96 pins
 - ARVO-W: 84 pins
- Minimum time of functioning:
 - ARVO-D/ ARVO-ED: 15 minutes
 - ARVO-W: 2 hours
- Switching accuracy:
 - ARVO-D/ ARVO-ED: ± 5 minutes
 - ARVO-W: ± 30 minutes
- Manual control by 3 positions selector:
 - O** - Permanent disconnected
 - A** - Automatic operation
 - I** - Permanent connected
- Power reserve: 150 hours (NiMH rechargeable battery – replacing) only on **ARVO-D** and **ARVO-W**
- Operating temperature: -10 °C ÷ 50 °C
- Protection class: II
- Protection category: IP20
- 2,5 DIN modules container
- Maximum cables section: 4 mm²

PROGRAM

- Lift the transparent cover
- Move all the setting pins towards the interior of the sphere (contact 3-1 remains closed)
- Move the setting pins corresponding to the desired switch on times outwards, in which contact 3-1 remains closed. Each pin corresponds to 15 minutes of functioning for Arvo-D/Arvo-ED and 2 hours for Arvo-W
- The number of pins outwards determines the time of functioning
- Rotate the minute hand clockwise until the index and hands indicate the current time
- Close the transparent cover
- Power the device
- Manual mode: 3 positions are available with the selector.

BATTERY REPLACEMENT

- To replace the battery (only on **ARVO-D** and **ARVO-W**):
 - disconnect the power supply
 - remove the battery holder
 - replace the battery
 - connect the power supply



Use V80H batteries only

It is necessary to remove the batteries before the instrument is scrapped.

In case of replacement, dispose of the batteries in the special containers of separate waste collection.



REFERENCE STANDARDS

Compliance with Community Directives: **2014/35/EU** (LVD); **2014/30/EU** (EMCD) is declared in reference to the harmonized standard: **EN 60730-2-7**